


MCR-SL-D-U-I

Order No.: 2864011



<http://eshop.phoenixcontact.de/phoenix/treeViewClick.do?UID=2864011>

MCR digital display, for measurement and display of standard signals, 5-fig. display

Commercial data	
GTIN (EAN)	
sales group	H563
Pack	1 pcs.
Customs tariff	90291000
Catalog page information	Page 425 (IF-2011)

Product notes

WEEE/RoHS-compliant since:
02/11/2006



<http://www.download.phoenixcontact.com>
Please note that the data given here has been taken from the online catalog. For comprehensive information and data, please refer to the user documentation. The General Terms and Conditions of Use apply to Internet downloads.

Technical data

Input data	
Voltage input signal	0 V ... 10 V
Current input signal	4 mA ... 20 mA
	0 mA ... 20 mA
Max. input voltage	30 V DC
Max. input current	50 mA

Input resistance of voltage input	> 1 M Ω
Input resistance current input	(approx. 100 Ω with 5 mA / approx. 70 Ω with 20 mA)

Power supply

Supply voltage range	10 V DC ... 30 V DC
Max. current consumption	50 mA

General data

Width	48 mm
Height	24 mm
Depth	68 mm
Ambient temperature (operation)	-10 °C ... 50 °C
Ambient temperature (storage/transport)	-25 °C ... 70 °C
Degree of protection	IP65 from the front
Test voltage input/power supply	500 V _{rms} (50/60 Hz, 1 min.)
Color	black
Housing material	Macrolon 2405
Conformance	CE-compliant
UL, USA / Canada	UL 508 Recognized

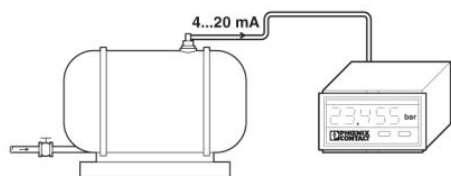
Certificates / Approvals

Certification

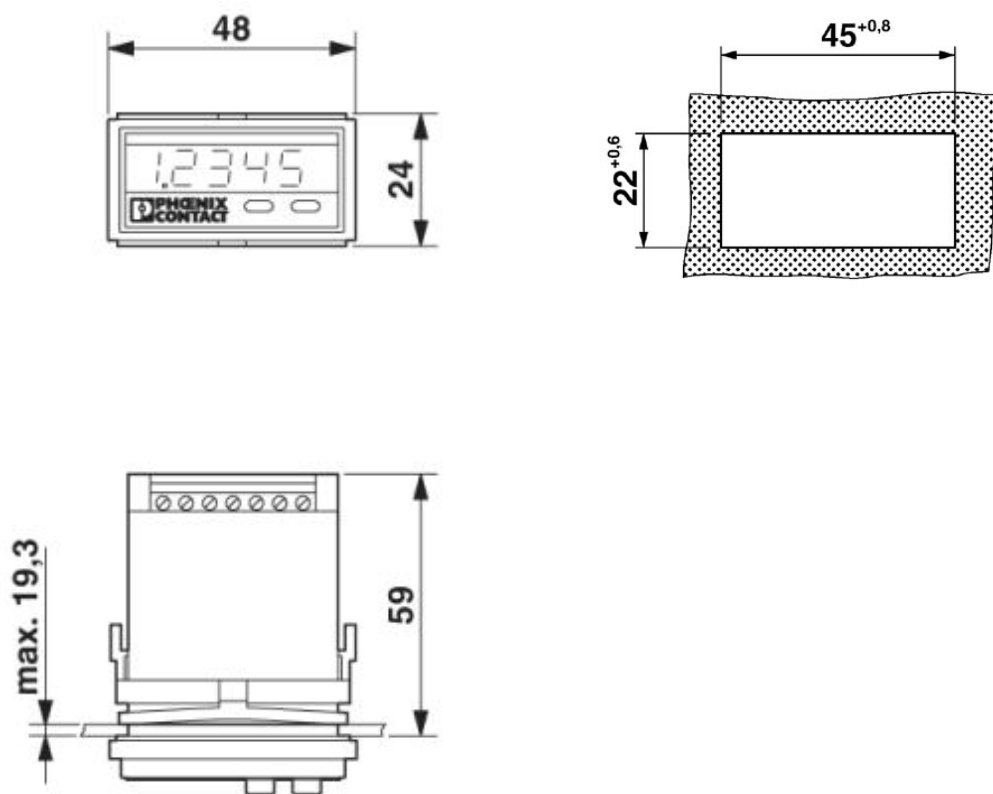
CUL, GOST, UL

Diagrams/Drawings

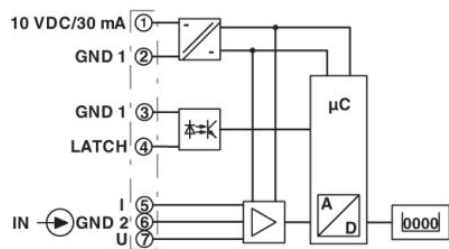
Application drawing



Dimensioned drawing



Circuit diagram



Address

PHOENIX CONTACT Inc., USA
586 Fulling Mill Road
Middletown, PA 17057, USA
Phone (800) 888-7388
Fax (717) 944-1625
<http://www.phoenixcon.com>



© 2011 Phoenix Contact
Technical modifications reserved;