

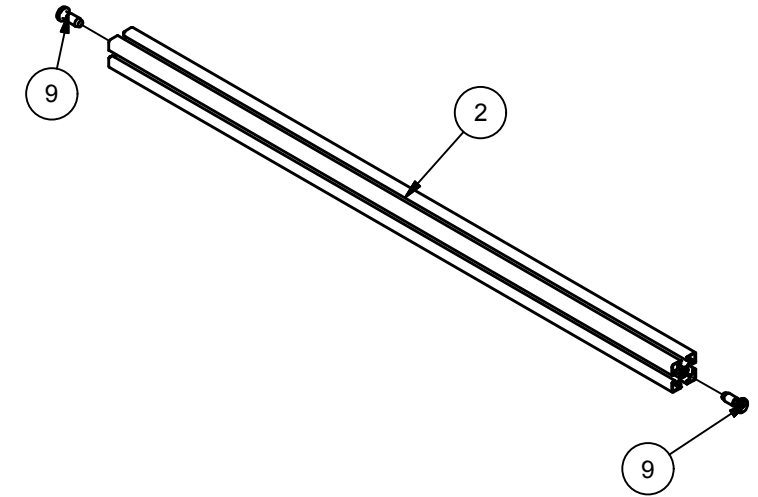
LIVINGSTON AND HAVEN
ROLLING ASSEMBLY TABLE

PARTS LIST		
ITEM	QTY	DESCRIPTION
1	2	45 SERIES PROFILE 2362mm
2	8	45 SERIES PROFILE 1053mm
3	4	45 SERIES PROFILE 711mm
4	2	45 SERIES PROFILE 2272mm
5	2	45 SERIES PROFILE 666mm
6	4	Locking heavy-duty caster, 125mm
7	4	End cap 45x45 black
8	24	45x45 gusset with fasteners
9	4	S12x30 self-tapping connection screw
10	6	42x60 sheet metal gusset
11	12	T-bolt fastening kit, L=14mm
12	1	MELAMINE TABLE
13	6	HEX HEAD SLOTTED SCREW

REQUIRED TOOLS:
8mm HEX WRENCH, 13mm AND 15mm COMBO WRENCH, 3/8"
SOCKET WRENCH, RUBBER MALLET, TAPE MEASURE

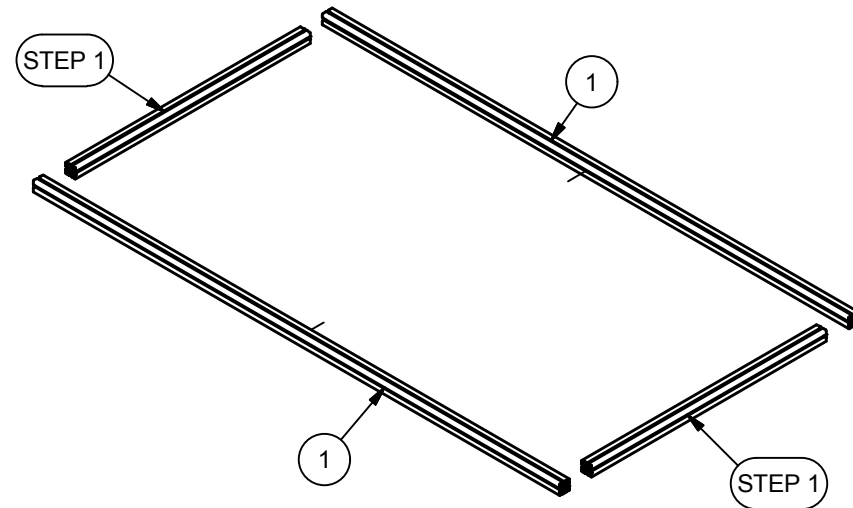
STEP 1:

TOOLS:
HEX WRENCH
MAKE QUANTITY 2



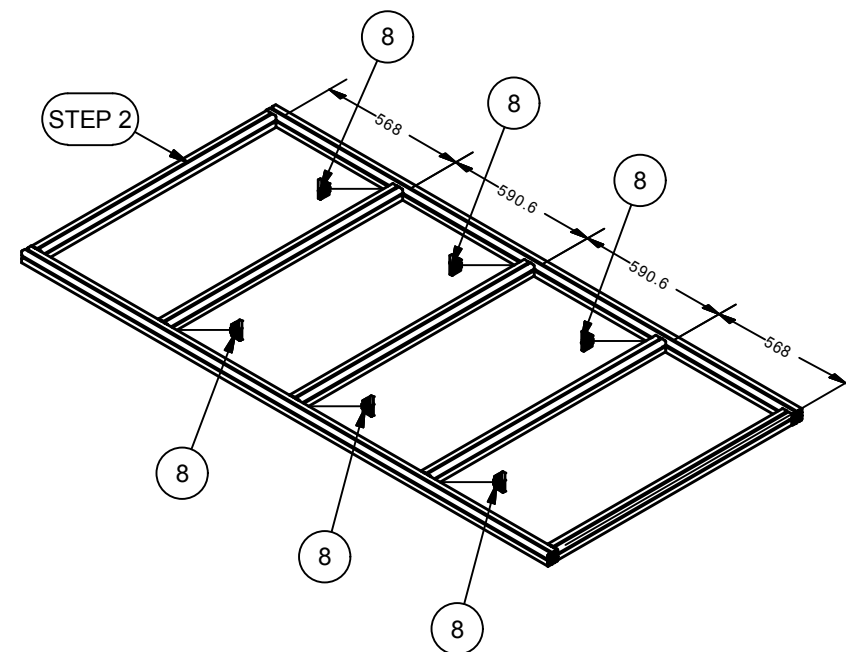
STEP 2:

TOOLS:
HEX WRENCH



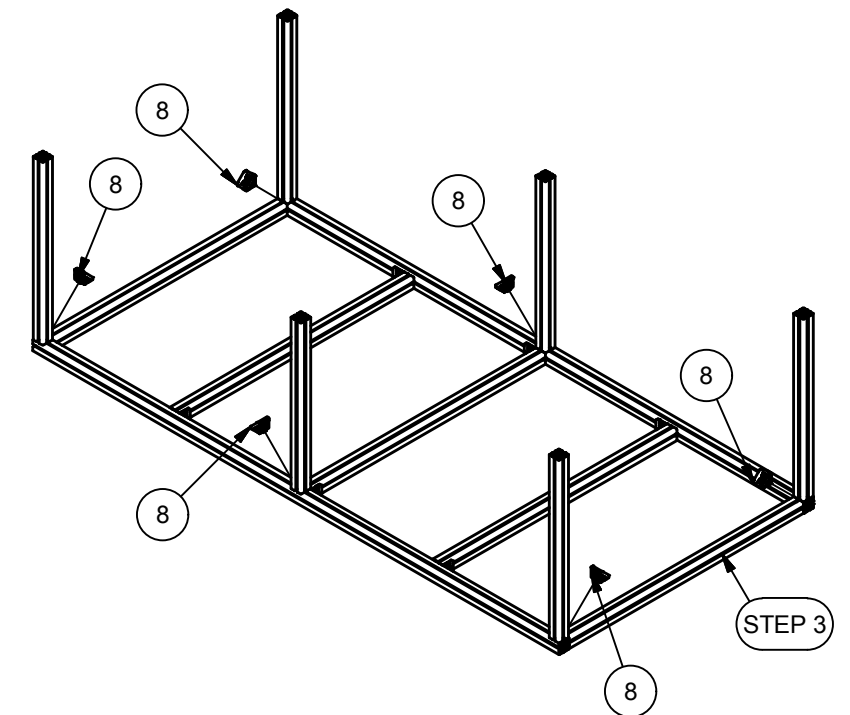
STEP 3:

TOOLS:
13mm COMBO WRENCH, TAPE MEASURE



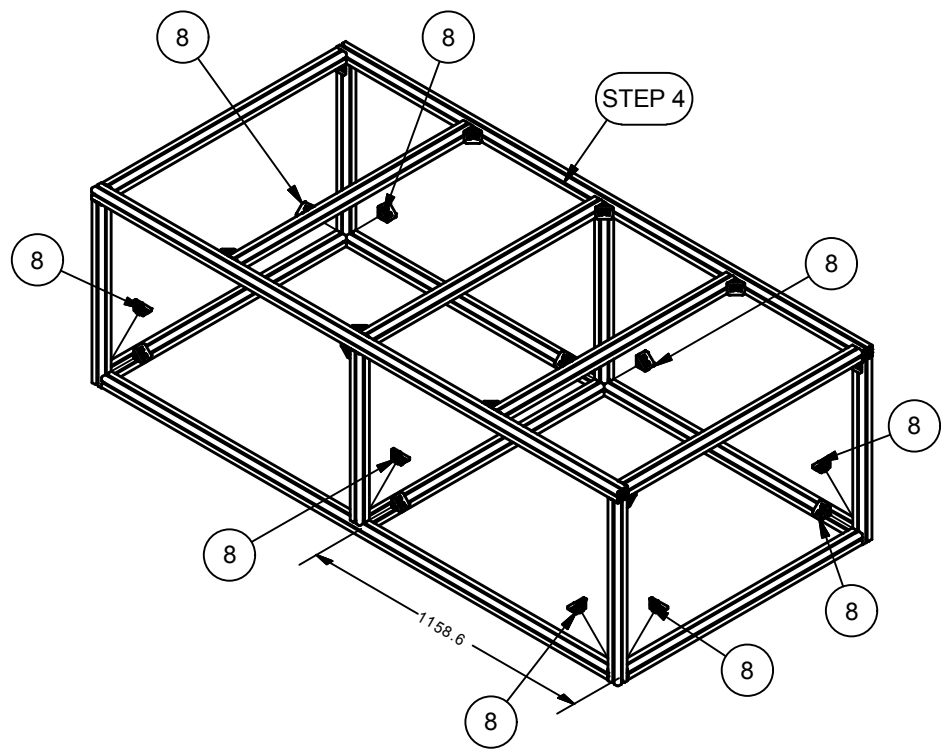
STEP 4:

TOOLS:
13mm COMBO WRENCH



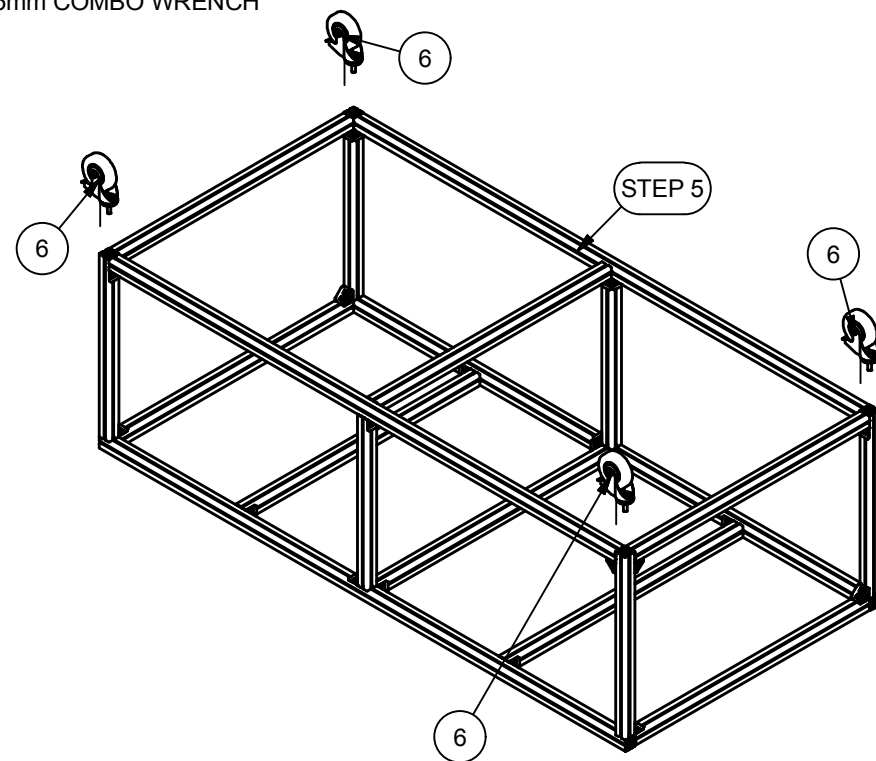
STEP 5:

TOOLS:
13mm COMBO WRENCH, TAPE MEASURE



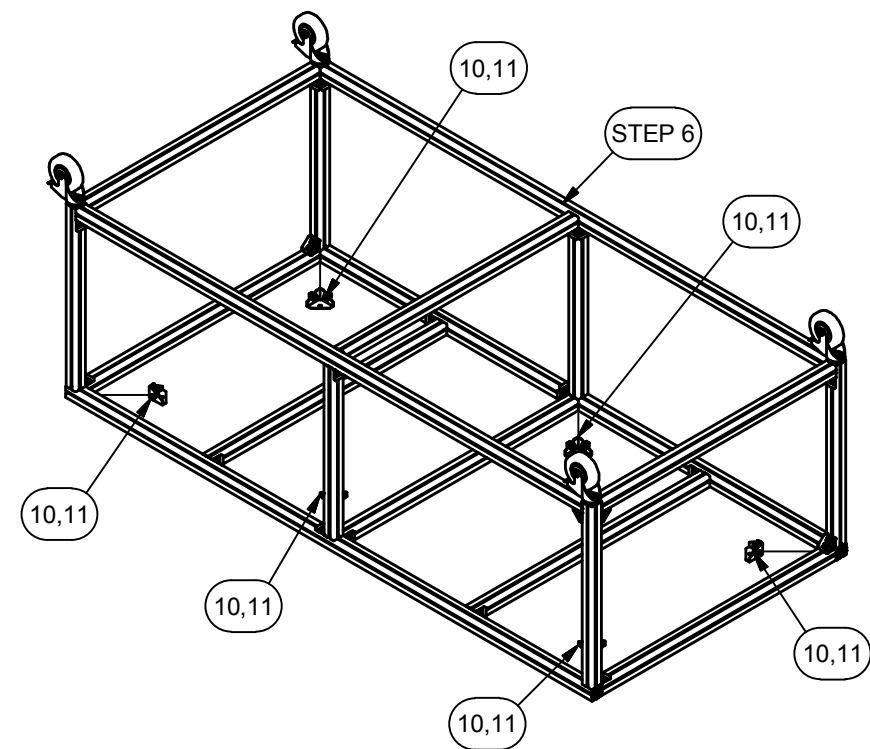
STEP 6:

TOOLS:
15mm COMBO WRENCH



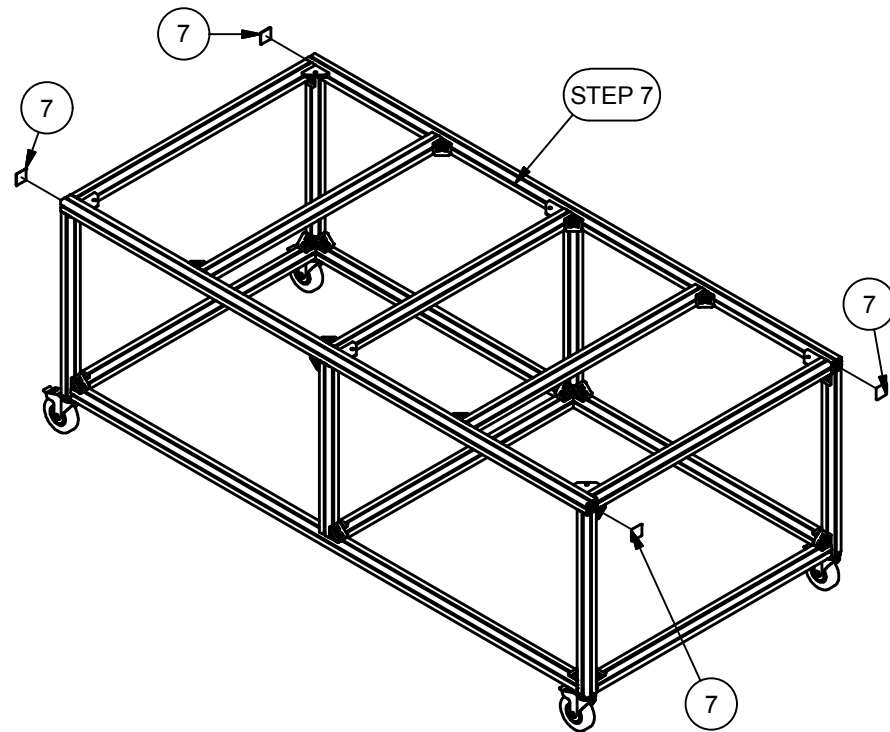
STEP 7:

TOOLS:
13mm COMBO WRENCH



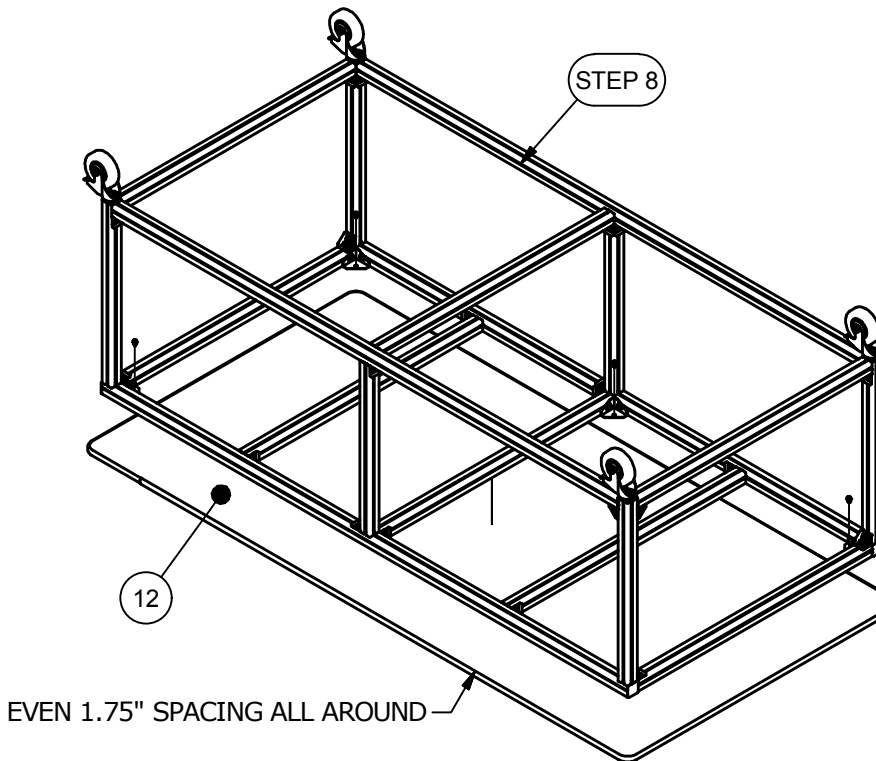
STEP 8:

TOOLS:
RUBBER Mallet



STEP 9:

TOOLS:
3/8" SOCKET WRENCH, TAPE MEASURE



THIS PANE IS BLANK