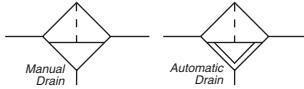


**F71 Coalescing Filter**

**A**



**Features**

- Compact Size Allows Greater Design Flexibility
- Connects to Other QUBE Units Using Just Screws and O-rings (Included)
- Integral Mounting Slots Eliminate Need for Mounting Brackets
- Removes Oil and Water Aerosols, as Well as Particulate Matter Down To 0.01 Micron.
- Pleated Element for Longer Life and Lower Pressure Drop
- Integral Pop-up Style Element Service Life Indicator
- Large Filter Element Surface Guarantees Low Pressure Drop and Increased Element Life
- Activated Carbon Elements Available for Oil Vapor Removal
- Transparent Polyurethane Bowl with Bowl Guard as Standard
- Metal Bowl with Wraparound Sight Gauge Optional
- Manual Drain as Standard, Optional Auto Float Drain
- Large Bowl Capacity
- High Flow: 1/4", 3/8", 1/2" - 43 SCFM<sup>§</sup>

**Polyurethane Bowls and Sight Gauges Offer Improved Chemical Compatibility.**



Port Size	NPT		BSPP	
	Manual Twist Drain	Piston Drain	Manual Twist Drain	Piston Drain
<b>Polyurethane Bowl / Plastic Guard</b>				
1/4"	<b>F71-02BJ</b>	<b>F71-02BJR</b>	F71G02BJ	F71G02BJR
3/8"	<b>F71-03BJ</b>	<b>F71-03BJR</b>	F71G03BJ	F71G03BJR
1/2"	<b>F71-04BJ</b>	<b>F71-04BJR</b>	F71G04BJ	F71G04BJR
<b>Zinc Bowl / Sight Gauge</b>				
1/4"	<b>F71-02WJ</b>	<b>F71-02WJR</b>	F71G02WJ	F71G02WJR
3/8"	<b>F71-03WJ</b>	<b>F71-03WJR</b>	F71G03WJ	F71G03WJR
1/2"	<b>F71-04WJ</b>	<b>F71-04WJR</b>	F71G04WJ	F71G04WJR

**Wraparound Sight Gauge Bowl**  
 All QUBE filters, lubricators, and integrals are available with the Watts Wraparound Polyurethane Sight Gauge Bowl. These unique bowls provide the 360° visibility of a plastic bowl while maintaining the high strength and safety features of metal bowls. Polyurethane bowls with guards, and metal bowls, are also available.

**Bold Items are Most Popular.**

For other models refer to ordering information below.

<sup>§</sup> SCFM = Standard Cubic Feet Per Minute at 100 PSIG Inlet, and 5 PSIG Pressure Drop.

**Ordering Information**

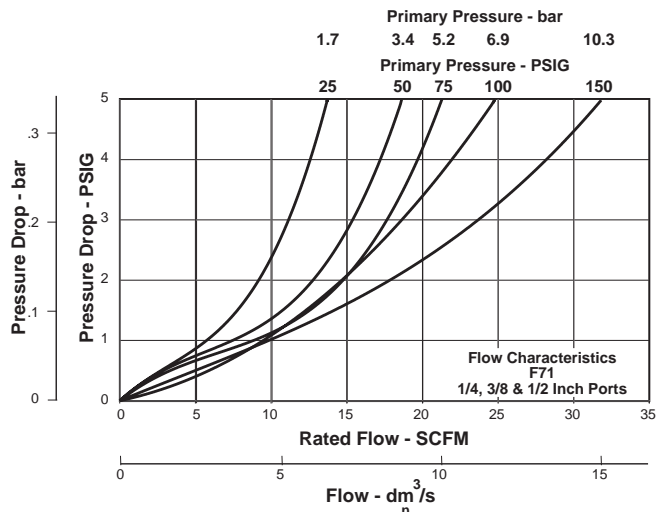
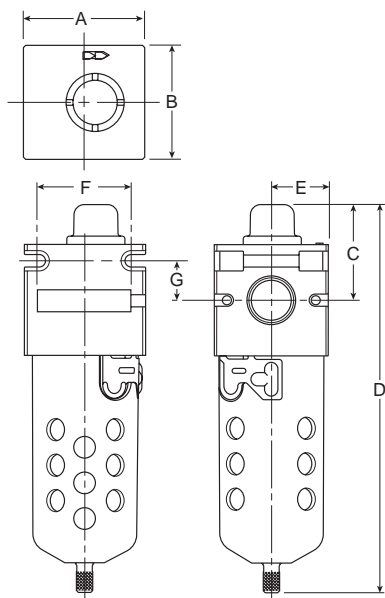


<b>Port Threads</b> — NPT G BSPP	<b>Port Size</b> 02 1/4" 03 3/8" 04 1/2"	<b>Bowl</b> <b>B Transparent with Plastic Bowl Guard</b> D Metal without Sight Gauge W Metal with Wraparound Sight Gauge	<b>Element</b> A Activated Carbon <b>J .01 Micron</b>	<b>Options</b> R Internal Float Drain U* Overnight Drain (Dump Valve)	<b>Engineering Change Designator</b> Will be entered at factory.
--	---	---	---	---	---

\*B & D Bowls only

**BOLD ITEMS ARE MOST POPULAR.**

**Technical Information**



F71 Coalescing Filter Dimensions						
A	B	C	D	E	F	G
<b>F71-BJ, F71-DJ</b>						
2.19 (55.6)	2.06 (52.4)	1.72 (43.7)	6.91 (175.4)	1.03 (26.2)	1.66 (42.1)	0.71 (17.9)
<b>F71-WJ</b>						
2.19 (55.6)	2.06 (52.4)	1.72 (43.7)	7.16 (181.8)	1.03 (26.2)	1.63 (41.3)	0.71 (17.9)

Inches  
(mm)

**F71 Coalescing Filter Kits & Accessories**

**Bowl Kits –**

- Polyurethane (B)..... BKF55B
- Metal (D) ..... BKF55D
- Metal (W) Wraparound Sight Gauge ..... BKF55W

**Drain Kits –**

- Manual Twist Drain ..... SA600Y7-1
- Internal Auto (Max. Pressure: 175 PSIG) (B & D)..... SA602MD
- Internal Auto (Max. Pressure: 175 PSIG) (W)..... SAF105MD
- Semi-Automatic "Overnight" Drain ..... SA602A7  
(Drains automatically under zero pressure)

**Filter Element Kits –**

- Activated Carbon ..... EKF71A
- Coalescing ..... EKF71H

**Face Mounting Bracket Kit (See Page A66) ..... SAR75Y57**

**Repair Kits –**

- Internal Float Drain ..... RK602MD

**Specifications**

**Bowl Capacity ..... 3.8 Ounce**

**Port Threads ..... 1/4, 3/8, 1/2 Inch**

**Pressure & Temperature Ratings –**

- Polyurethane Bowl..... 0 to 150 PSIG (0 to 10.2 bar)  
40°F to 125°F (4.4°C to 52°C)

- Zinc Bowl..... 0 to 300 PSIG (0 to 20.4 bar)  
40°F to 180°F (4.4°C to 82.2°C)
- With Automatic Float Drain..... 175 PSIG Max. Press. (11.9 bar)  
40°F to 125°F (4.4°C to 52°C)
- Zinc Bowl w/ Sight Gauge ..... 0 to 250 PSIG (0 to 17.2 bar)  
40°F to 150°F (4.4°C to 65.6°C)
- With Automatic Float Drain..... 175 PSIG Max. Press. (11.9 bar)  
40°F to 125°F (4.4°C to 52°C)

**Weight –**

- Polyurethane Bowl..... 1.25 lb. (0.57kg) / Unit  
25 lb. (11.3 kg) / 20-Unit Master Pack
- Zinc Bowl..... 1.50 lb. (0.68 kg) / Unit  
30 lb. (13.6 kg) / 20-Unit Master Pack
- Zinc Bowl W/ Sight Gauge..... 1.60 lb. (0.73 kg) / Unit  
32 lb. (14.5 kg) / 20-Unit Master Pack

**Materials of Construction**

- Body ..... Zinc**
- Bowls ..... Polyurethane  
Metal (Zinc)**
- Coalescing Element ..... Borosilicate Fiber & Polyamide Foam**
- Carbon Element ..... Acetal 30% Glass Filled Activated Carbon**
- Drain ..... Brass**
- Seals ..... Buna-N**

