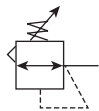


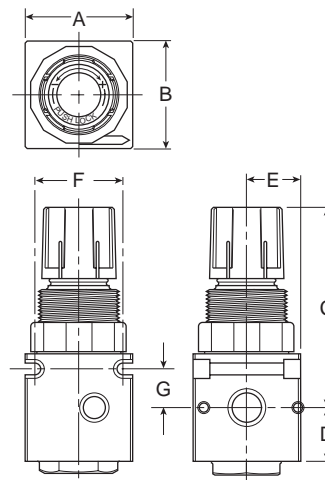
A

R35 Regulator



Features

- Compact Size Allows Greater Design Flexibility
- Nearly Double the Flow Capacity of Standard Miniature Regulators; Reduces Costly Pressure Drop
- Connects to Other QUBE Units Using Just Screws and O-rings (Included)
- Integral Mounting Slots Eliminate Need for Mounting Brackets
- Piston Operated for High Flow and Low Pressure Drop
- Panel Mountable
- High Flow: 1/8" - 30 SCFM[§]
1/4" - 40 SCFM[§]



Port Size	NPT	BSPB
	Relieving	Relieving
Without Gauge 0-125 PSIG Reduced Pressure		
1/8"	R35-01C	R35G01C
1/4"	R35-02C	R35G02C
With Gauge 0-125 PSIG Reduced Pressure		
1/8"	R35-01CG	—
1/4"	R35-02CG	—

R35 Regulator Dimensions						
A	B	C	D	E	F	G
1.59	1.59	2.98	1.11	0.80	1.31	0.58
(40.6)	(40.6)	(75.7)	(28.2)	(20.3)	(33.3)	(14.6)

Inches
(mm)

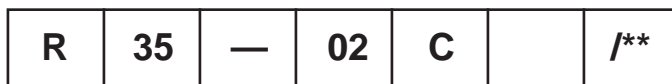
NOTE: 1.25 Dia. (32mm) hole required for panel mounting.

Bold Items are Most Popular.

For other models refer to ordering information below.

[§] SCFM = Standard Cubic Feet Per Minute at 100 PSIG Inlet, 75 PSIG No Flow Secondary Setting, and 20 PSIG Pressure Drop.

Ordering Information



Port Threads
— NPT
G BSPB

Port Size
01 1/8"
02 1/4"

Reduced Pressure Range
A 0-25 PSIG
B 0-60 PSIG
C 0-125 PSIG

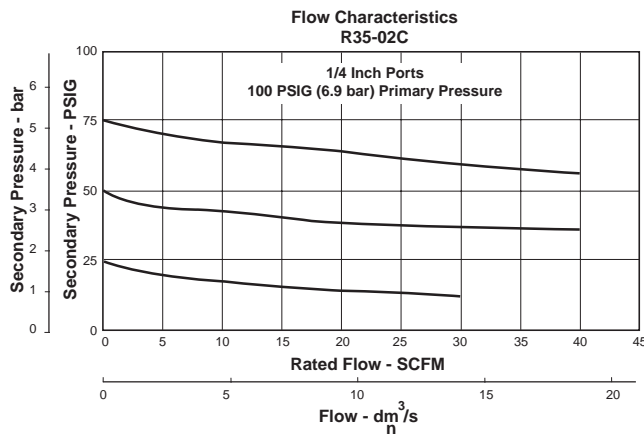
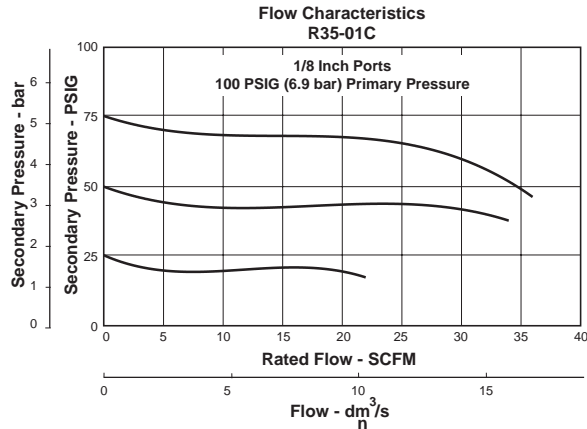
Options
G Gauge
K Non-relieving
P Panel Mount Nut (Plastic)
T Tamperproof Adjustment

Engineering Change Designator
Will be entered at factory.

BOLD ITEMS ARE MOST POPULAR.



Technical Information



⚠ WARNING

**Product rupture can cause serious injury.
 Do not connect regulator to bottled gas.
 Do not exceed maximum primary pressure rating.**

⚠ CAUTION:

REGULATOR PRESSURE ADJUSTMENT – The working range of knob adjustment is designed to permit outlet pressures within their full range. Pressure adjustment beyond this range is also possible because the knob is not a limiting device. This is a common characteristic of most industrial regulators, and limiting devices may be obtained only by special design. For best performance, regulated pressure should always be set by increasing the pressure up to the desired setting.

R35 Regulator Kits & Accessories

- Cage Kits –**
 A Range..... CKR35A
 B & C Range.....CKR35BC
- Control Knob** R35-0545P
- Gauges –**
 1-1/2" Dial Size, 1/8" Back Connection
 0 to 60 PSIG (0 to 4 bar) K4515N18060
 1-1/2" Dial Size, 1/8" Back Connection
 0 to 160 PSIG (0 to 11 bar) K4515N18160
- Panel Mounting Bracket Kit (Bonnet Threads)** SA161X57
Face Mounting Bracket Kit (See Page A66) SAR35Y57
- Panel Mount Nut –**
 Plastic.....R05X51-P
 Aluminum.....R05X51-A
- Repair Kits –**
 Non-Relieving Piston, Valve Assembly RKR30K
 Relieving Piston, Valve Assembly RKR30

Specifications

- Gauge Ports (2)** 1/8 Inch
Port Threads 1/8 & 1/4 Inch
Supply Pressure 300 PSIG Max. (20,4 bar)
Temperature Rating 40°F to 125°F (4.4°C to 52°C)
Weight 0.82 lbs. (.37 kg) / Unit
 19.8 lbs. (8.98 kg) / 24-Unit Master Pack

Materials of Construction

- Adjusting Knob** Acetal
Body Zinc
Bottom Plug Glass-Filled Acetal
Cage Plastic
Elastomers Buna N

