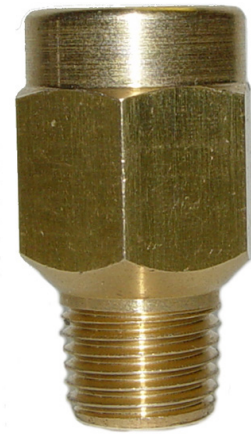


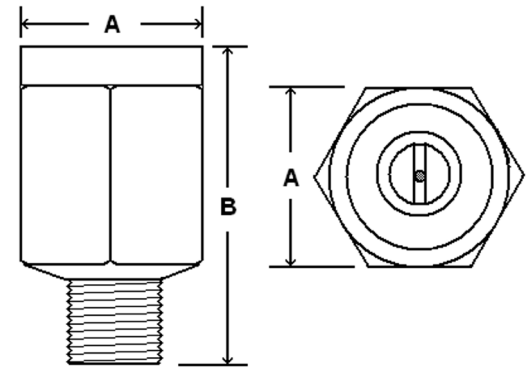
FILTER TYPE PRESSURE SNUBBER

SPECIFICATIONS

Purpose	Dampens pressure pulsation and slows the effects of surges or sudden pressure spikes Can be disassembled for cleaning
Media	Water, air, oil, gas
Connection	1/8", 1/4" or 1/2" NPT
Materials	Stainless steel, Brass
Design Type	Porous element

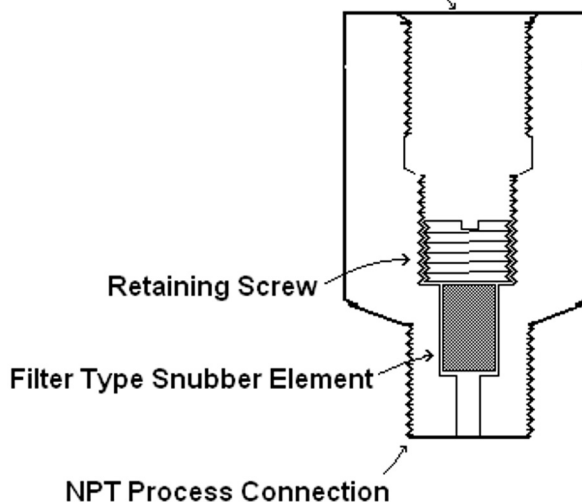


Part Number	Description	Units	A	B	Pressure Rating
BW42-1/8	1/8" NPT MxF Brass, for water or light oil	Inches	0.74"	1.35"	3,000 psi
		mm	18.9	35	
BW42	1/4" NPT MxF Brass, for water or light oil	Inches	0.75"	1.70"	3,000 psi
		mm	19	43.1	
BW41	1/4" NPT MxF Brass, for air	Inches	0.75"	1.70"	3,000 psi
		mm	19	43.1	
BW41-1/2	1/2" NPT MxF Brass, for air	Inches	1.25"	2.25"	10,000 psi
		mm	31.7	57.1	
SW42	1/4" NPT MxF Stainless Steel, for water or light oil	Inches	0.75"	1.70"	5,000 psi
		mm	19	43.1	
FPS50C	1/2" NPT MxF 304 SS	Inches	1.25"	2.25"	10,000 psi
		mm	31.7	57.1	



6

NPT Gauge Connection



Part Number	Est. Unit Wt. lbs	Est. Unit Wt. kg	Box Qty.
BW42-1/8	0.10	0.04	upon request
BW42	0.10	0.04	500
BW41-1/2	0.25	0.12	upon request
SW42	0.10	0.04	500
A05E	0.25	0.12	upon request