



# Screw to connect heavy duty couplings

## FSC Series



### INTRODUCTION

Holmbury's FSC Series flat faced screw to connect couplings offer a compact, rugged connection to eliminate brinelling. An ideal solution for high pressure pulses and demanding applications.



### CONSTRUCTION

- Carbon steel with zinc nickel plating (1200 hours with no red rust in salt spray tests)
- Fitted with NBR seals, Polyurethane and PTFE backup ring
- Other seal options available on request

### FEATURES

- Screw to connect design eliminates brinelling
- Integral connect under pressure feature
- Flat faces are easily wiped clean
- Allows for minimal inclusion of air and contaminants during connection
- Flat face design prevents fluid loss during disconnection
- Bidirectional flow
- Interchangeable with other leading brands. Contact Holmbury for more information

### ACCESSORIES

- Dust caps, plugs and seal kits are available for the FSC Series

### SPECIFICATIONS

- Operating temperatures (With NBR seals): -30°C (-22°F) to 100°C (212°F)

### APPLICATIONS

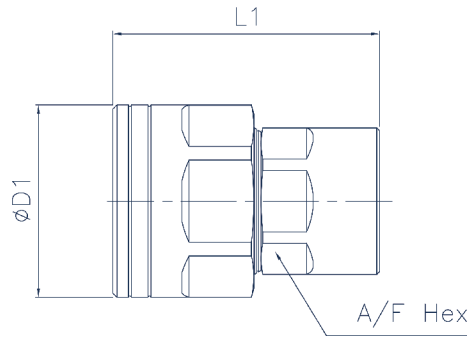
- Hydraulic attachments
- Hammer circuits
- High pressure pulse applications
- Leak free environments
- Construction plant, mobile equipment, general industrial, mining and agricultural industries
- Agricultural

### FSC PERFORMANCE CHARACTERISTICS

Body Size	FSC10	FSC12	FSC16	FSC19	FSC25
	Pressure in bar - Flow in LPM				
	Pressure in PSI - Flow in GPM				
Maximum working pressure (Coupled)	350	350	350	350	350
	5076	5076	5076	5076	5076
Rated flow	23	45	74	100	189
	6.1	12	20	26.4	50

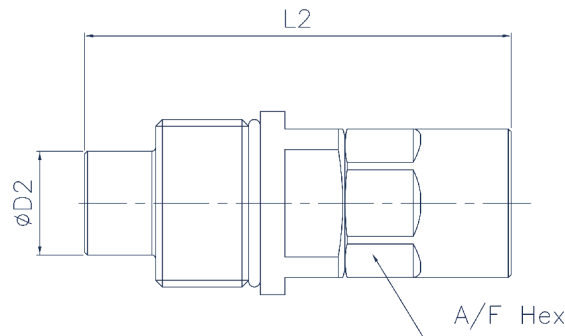
### CAPS/PLUGS ACCESSORIES

FEMALE PLUGS	MALE CAPS
HFT10-F-PLUG	HFT10-M-CAP
HFT12-F-PLUG	HFT12-M-CAP
HFT16-F-PLUG	HFT16-M-CAP
HFT19-F-PLUG	HFT19-M-CAP
HFT25-F-PLUG	HFT25-M-CAP



## FSC FEMALE COUPLING

Body Size	Part Number	Thread Size	D1		L1		A/F	
			mm	inch	mm	inch	mm	inch
10 (3/8)	FSC10-F-06N	3/8 NPTF	41.3	1.63	67.9	2.67	23.8	0.94
	FSC10-F-08N	1/2 NPTF	41.3	1.63	69.1	2.72	25.4	1.00
	FSC10-F-08S	3/4-16 UNF	41.3	1.63	69.1	2.72	23.8	0.94
12 (1/2)	FSC12-F-08N	1/2 NPTF	49.2	1.94	76.4	3.01	28.6	1.12
	FSC12-F-12N	3/4 NPTF	49.2	1.94	78.3	3.08	33.3	1.31
	FSC12-F-12S	1 1/16-12 UN	49.2	1.94	78.9	3.11	33.3	1.31
16 (5/8)	FSC16-F-12N	3/4 NPTF	54.0	2.12	83.6	3.29	30.0	1.18
	FSC16-F-12S	1 1/16-12 UN	54.0	2.12	83.6	3.29	30.0	1.18
19 (3/4)	FSC19-F-16N	1 NPTF	58.7	2.31	91.5	3.60	34.9	1.37
	FSC19-F-16S	1 5/16-12 UN	58.7	2.31	91.0	3.58	36.5	1.44
25 (1)	FSC25-F-20N	1 1/4 NPTF	66.7	2.63	93.2	3.67	46.0	1.81
	FSC25-F-20S	1 5/8-12 UN	66.7	2.63	92.7	3.65	46.0	1.81



## FSC MALE COUPLING

Body Size	Part Number	Thread Size	D2		L2		A/F	
			mm	inch	mm	inch	mm	inch
10 (3/8)	FSC10-M-06N	3/8 NPTF	19.7	0.78	92.6	3.65	19.1	0.75
	FSC10-M-08N	1/2 NPTF	19.7	0.78	94.7	3.73	25.4	1.00
	FSC10-M-08S	3/4-16 UNF	19.7	0.78	94.9	3.74	23.8	0.94
12 (1/2)	FSC12-M-08N	1/2 NPTF	24.5	0.96	96.6	3.80	30.0	1.18
	FSC12-M-12N	3/4 NPTF	24.5	0.96	100.6	3.96	30.0	1.18
	FSC12-M-12S	1 1/16-12 UN	24.5	0.96	102.6	4.04	30.0	1.18
16 (5/8)	FSC16-M-12N	3/4 NPTF	26.9	1.06	124.5	4.90	30.0	1.18
	FSC16-M-12S	1 1/16-12 UN	26.9	1.06	126.7	4.99	30.0	1.18
19 (3/4)	FSC19-M-16N	1 NPTF	29.9	1.18	130.5	5.14	36.5	1.44
	FSC19-M-16S	1 5/16-12 UN	29.9	1.18	132.3	5.21	36.5	1.44
25 (1)	FSC25-M-20N	1 1/4 NPTF	36.0	1.42	150.6	5.93	46.0	1.81
	FSC25-M-20S	1 5/8-12 UN	36.0	1.42	148.1	5.83	46.0	1.81

**CAUTION** - Please see installation guide on page 89