



Free flow, valveless pressure washer couplings

HFB, HFS, HFC Series



INTRODUCTION

Holmbury's HFB Series brass couplings are able to accommodate high flow rates and minimal pressure drops. The couplings are valveless, hence when disconnected any fluid in the system can escape. Suitable for non-hazardous fluids only.



CONSTRUCTION

- Brass body
- Fitted with NBR seals
- Available in carbon (HFC) and stainless steel (HFS) on request

FEATURES

- Valveless design allows for high flow rates and minimal pressure drop characteristics
- Bidirectional flow

ACCESSORIES

- Seal kits available for the HFB Series

SPECIFICATIONS

- Operating temperatures (with NBR seals): -40°C (-40°F) to 106°C (223°F)

APPLICATIONS

- Designed for use in pressure washer systems and systems containing non-hazardous fluids
- Carpet cleaners
- Steam washers
- Coolant lines
- Any non valved application

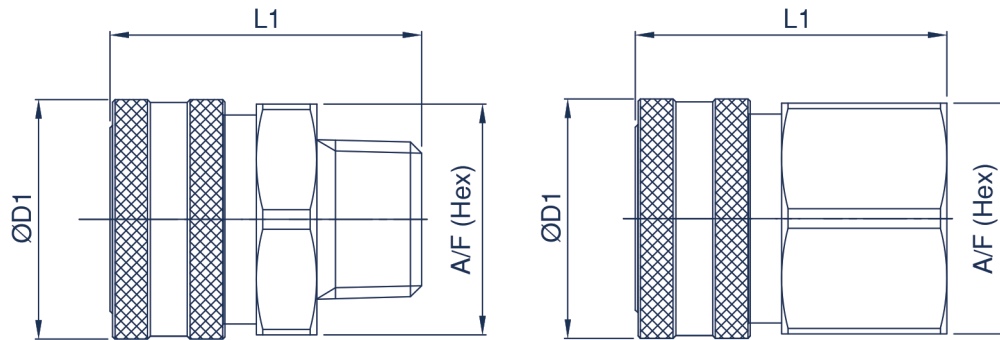
HFB PERFORMANCE CHARACTERISTICS

Body Size	HFB06	HFB10	HFB12	HFB19	HFB25
	Pressure in bar - Flow in LPM				
	Pressure in PSI - Flow in GPM				
Brass working pressure (Coupled)	360	185	150	120	85
	5220	2683	2175	1740	1233
Brass coupling/ steel nipple working pressure (Coupled)	380	240	185	185	140
	5510	3480	2683	2683	2030
SS working pressure (Coupled)	460	380	210	210	120
	6670	5510	3045	3045	1740
Rated flow	3	23	45	106	189
	0.8	6.1	12	28	50

SEAL KITS

- HFB06-F-SEAL KIT
- HFB10-F-SEAL KIT
- HFB12-F-SEAL KIT
- HFB19-F-SEAL KIT
- HFB25-F-SEAL KIT

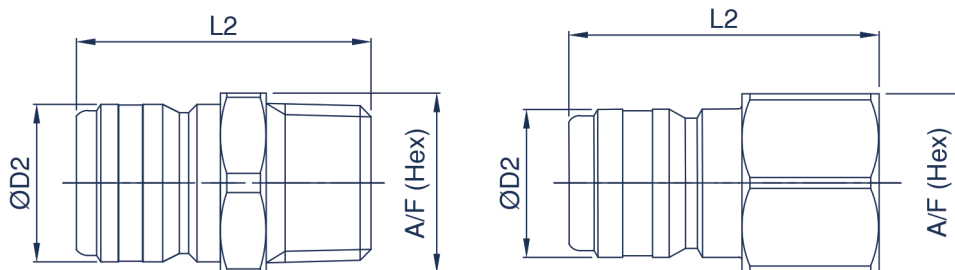
HFB, HFS, HFC Series



HFB FEMALE COUPLING

Body Size	Part Number	Thread Size	D1		L1		A/F	
			mm	inch	mm	inch	mm	inch
06 (1/4)	HFB06-F-04N	1/4 NPTF	24.0	0.94	37.3	1.47	20.5	0.81
	HFB06-F-04NM	1/4 NPTF	24.0	0.94	44.0	1.73	20.5	0.81
10 (3/8)	HFB10-F-06N	3/8 NPTF	28.0	1.10	38.0	1.50	22.2	0.87
	HFB10-F-06NM	3/8 NPTF	28.0	1.10	44.0	1.73	25.4	1.00
12 (1/2)	HFB12-F-08N	1/2 NPTF	33.5	1.32	41.3	1.63	28.5	1.12
	HFB12-F-08NM	1/2 NPTF	33.5	1.32	49.6	1.95	29.0	1.14
19 (3/4)	HFB19-F-12N	3/4 NPTF	41.5	1.63	53.2	2.09	38.0	1.50
	HFB19-F-12NM	3/4 NPTF	41.5	1.63	56.8	2.24	38.0	1.50
25 (1)	HFB25-F-16N	1 NPTF	51.0	2.01	53.0	2.09	44.5	1.75
	HFB25-F-16NM	1 NPTF	51.0	2.01	66.3	2.61	44.5	1.75

HFB brass models listed. Substitute HFS for 316 stainless steel and HFC for carbon steel models



HFB MALE COUPLING

Body Size	Part Number	Thread Size	D2		L2		A/F	
			mm	inch	mm	inch	mm	inch
06 (1/4)	HFB06-M-04N	1/4 NPTF	11.8	0.46	34.0	1.34	17.5	0.69
	HFB06-M-04NM	1/4 NPTF	11.8	0.46	38.0	1.50	14.3	0.56
10 (3/8)	HFB10-M-06N	3/8 NPTF	14.9	0.59	40.0	1.57	20.6	0.81
	HFB10-M-06NM	3/8 NPTF	14.9	0.59	44.0	1.73	17.5	0.69
12 (1/2)	HFB12-M-08N	1/2 NPTF	18.0	0.71	44.6	1.76	25.4	1.00
	HFB12-M-08NM	1/2 NPTF	18.0	0.71	48.6	1.91	22.0	0.87
19 (3/4)	HFB19-M-12N	3/4 NPTF	24.9	0.98	52.0	2.05	30.0	1.18
	HFB19-M-12NM	3/4 NPTF	24.9	0.98	57.0	2.24	27.0	1.06
25 (1)	HFB25-M-16N	1 NPTF	33.3	1.31	59.6	2.35	38.0	1.50
	HFB25-M-16NM	1 NPTF	33.3	1.31	61.0	2.40	34.0	1.34

For all other configurations or thread types please contact the sales office.