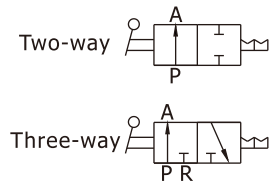


## NPHV, PHV series



### Ordering code

**NPHV 1/4 A**

① ② ③

① Model	② Port size	③ Valve specification
NPHV: Finger valve	1/4: $\Phi 1/4"$ 5/16: $\Phi 5/16"$ 3/8: $\Phi 3/8"$ 1/2: $\Phi 1/2"$	A: Three-way Knob identifier "A"
		B: Two-way Knob identifier "B"

**PHV 6 A**

① ② ③

① Model	② Port size	③ Valve specification
PHV: Finger valve	6: $\Phi 6\text{mm}$ 8: $\Phi 8\text{mm}$ 10: $\Phi 10\text{mm}$ 12: $\Phi 12\text{mm}$	A: Three-way Knob identifier "A"
		B: Two-way Knob identifier "B"

### Specification

<b>Operating pressure range</b>	<b>0~145psi(0~1.0MPa)</b>
Negative pressure	-750mmHg(10Torr)
Proof pressure	215psi(1.5MPa)
Ambient and fluid temperature (°C)	-5~160°F (-20~70°C)
Applicable tubing	Soft nylon or polyurethane

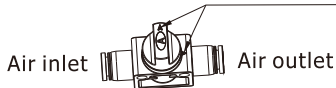
### Product feature

1. NPHV series product doesn't contain brass, so can be used for forbidding brass condition.
2. When the three-way valve is closed, the outlet pressure is released, which facilitates in commissioning and maintenance.
3. The finger valve has excellent flow characteristic and high sensitive anti-direction characteristic.

### Diagram of finger valve in the open and closed states

#### Closed state

Valve is closed, when the angle between the arrow on knob and the arrow on valve body is 90 degree.

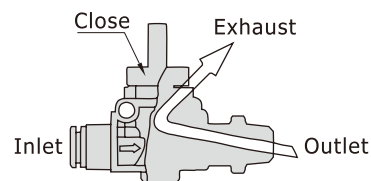


#### Opened state

Valve is open, when the direction of the arrow on commutation knob is consistent with that on valve body.

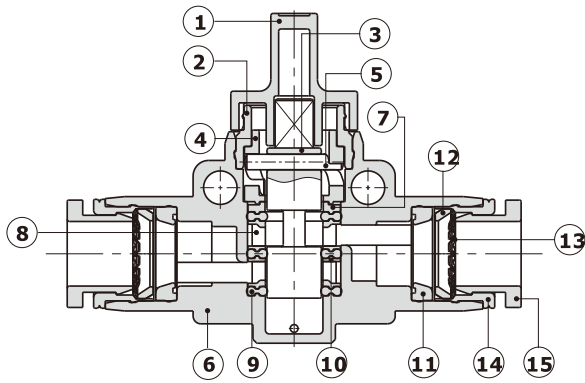


When the three-way valve is closed, the outlet pressure is released, which facilitates in commissioning and maintenance. (as figure below)



## NPHV, PHV series

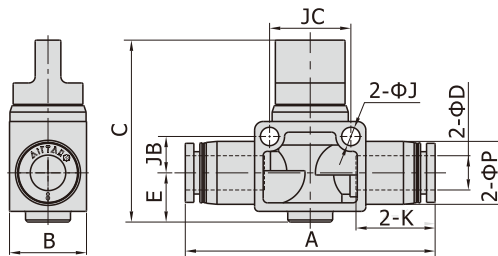
### Inner structure



NO.	Name	NO.	Name
1	Knob	9	Special shape O-ring
2	Fixing ring	10	Spacer ring
3	Spool	11	Special shape O-ring
4	Cam groove block	12	Locating seat
5	Pin	13	Spring gasket
6	Plastic body	14	Locating ring
7	Locating block	15	Plastic interface
8	Spacer		

### Dimensions

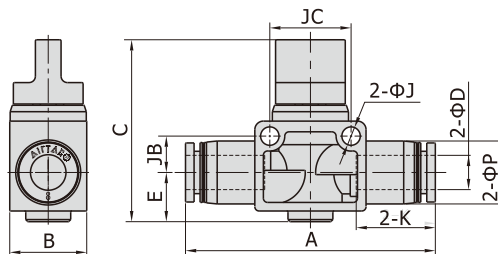
#### NPHV Series



[Unit: inch]

Model\Item	ΦD	A	B	C	ΦP	K	E	ΦJ	JB	JC	Weight(g)
NPHV1/4A(B)	1/4	2.03	0.67	1.59	0.49	0.65	0.39	0.17	0.31	0.71	14.3
NPHV5/16A(B)	5/16	2.30	0.71	1.67	0.59	0.73	0.45	0.17	0.33	0.75	17.5
NPHV3/8A(B)	3/8	2.60	0.83	1.65	0.71	0.83	0.43	0.17	0.43	0.94	25.1
NPHV1/2A(B)	1/2	2.80	0.87	1.81	0.83	0.91	0.51	0.17	0.43	0.94	31.4

#### PHV Series



[Unit: mm]

Model\Item	ΦD	A	B	C	ΦP	K	E	ΦJ	JB	JC	Weight(g)
PHV6□	6	51.5	17	40.5	12.5	16.5	10	4.3	8	18	14.3
PHV8□	8	58.5	18	42.5	15	18.5	11.5	4.3	8.5	19	17.5
PHV10□	10	66	21	42	18	21	11	4.3	11	24	25.1
PHV12□	12	71	22	46	21	23	13	4.3	11	24	31.4

Note: "□" indicates "A" or "B", "A" indicates three-way, and "B" indicates two-way.  
The two kinds of valve have same dimensions.