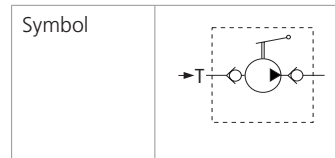

Technical Features

- › Push to pressurize
- › Simple and reliable design
- › Built-in pressure and suction check valves
- › Handle beam can be rotated by 360°, to suit the available space
- › Optional dust cuff for piston protection
- › In the standard version, the pump is zinc-coated for 240 h protection acc. to ISO 9227

Functional Description

RCA-A2, Push to pressurize

This version provides flow of up to 7 cm³ (0.43 in³) per stroke at a pressure of 200 bar (2900 PSI). Built-in check valves make the pump a reliable device for generating volumetric flow.

RCA-RA2, Push to pressurize

This version provides flow of up to 5 cm³ (0.31 in³) per stroke at a pressure of 200 bar (2900 PSI). Built-in check valves make the pump a reliable device for generating volumetric flow.

Note: During operation the shaft will become lightly coated with an oil film from the internal high pressure circuit. The piston rod protruding from the hand pump may appear damp with oil after use. This is desirable as it lubricates the shaft seal, reducing friction and assuring optimal shaft seal life. For generating pressures over 160 bar, longer hand-lever is recommended.

Technical Data

Hand pump size / cartridge cavity		3/4-16 UNF / A2	M22x1.5 / RA2
Max. generated pressure	bar (PSI)	200 (2900)	
Max. circuit pressure	bar (PSI)	250 (3630)	
Max. operating force L=500 mm (19.68 in)	N (lbf)	340 (77.2)	
Displacement per stroke	cm ³ (in ³)	7±1 (0.43±0.06)	5±1 (0.31±0.06)
Fluid temperature range (NBR)	°C (°F)	-30 +100 (-22 ... +212)	
Fluid temperature range (FPM)	°C (°F)	-20 +120 (-4 ... +248)	
Service life	cycles	500 000	
Weight of valve	kg (lbs)	0.72 (1.59)	0.70 (1.54)
Weight of lever		0.42 (0.91)	

	Data Sheet	
General information	GI_0060	Products and operating condition
Cavity details	SMT_0019	
Spare parts	SP_8010	

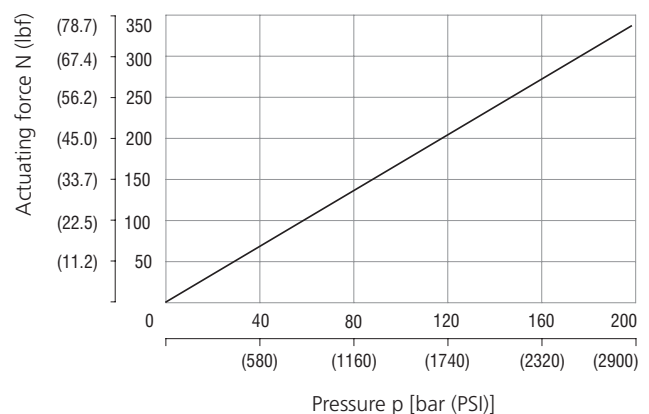
Characteristics measured at $v = 32 \text{ mm}^2/\text{s}$ (156 SUS)

Operating limits

Manual force on the lever at max. pressure 200 bar

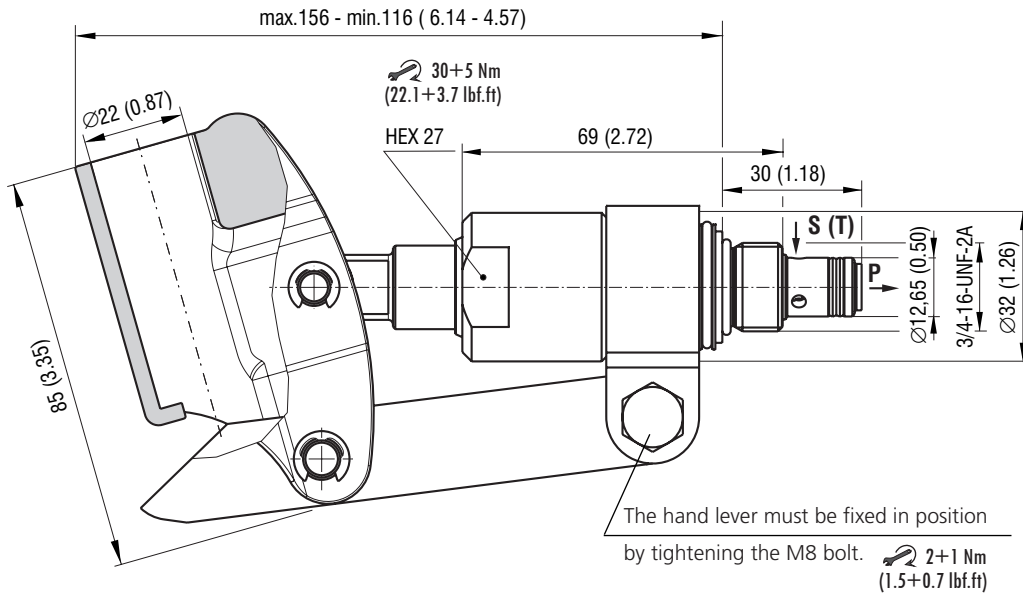


Warning:
Pressurising of input pump port can cause spontaneous lever moving and injuring of operator.

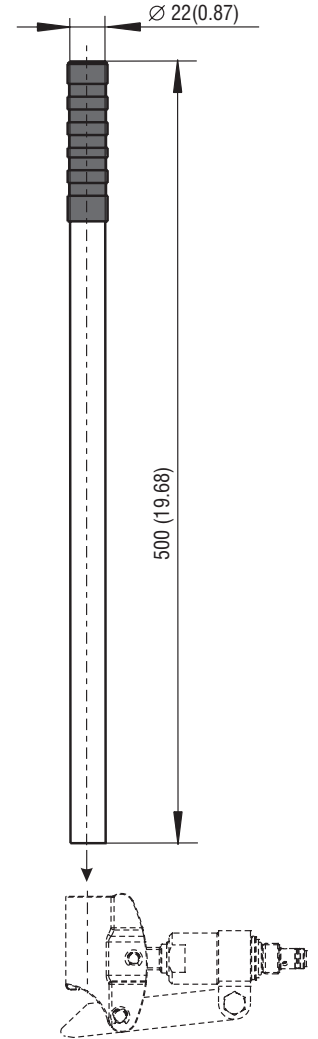


Dimensions in millimeters (inches)

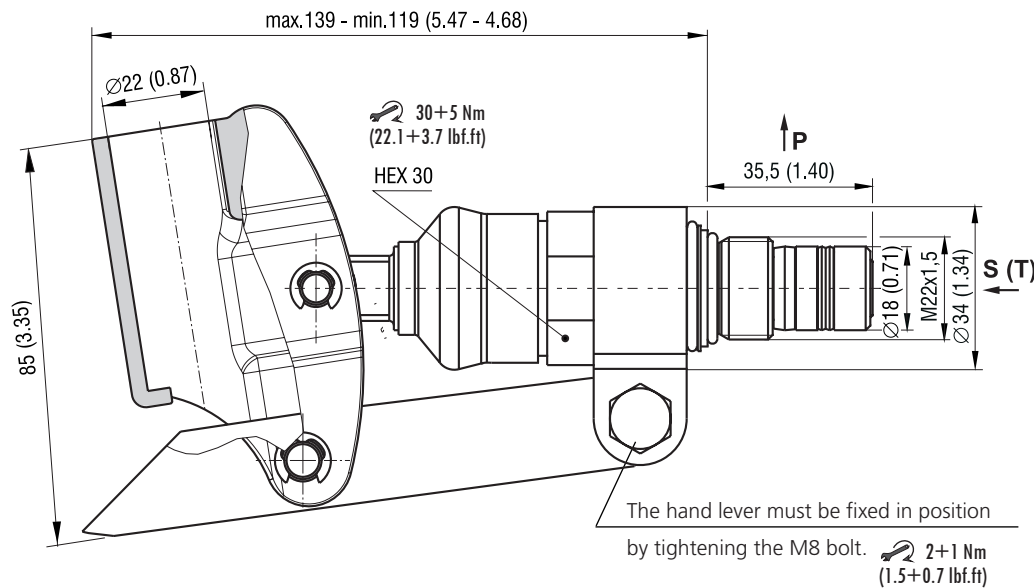
RCA-A2



L500



RCA-RA2



Type	Ordering number
L500	23476200

Ordering Code

