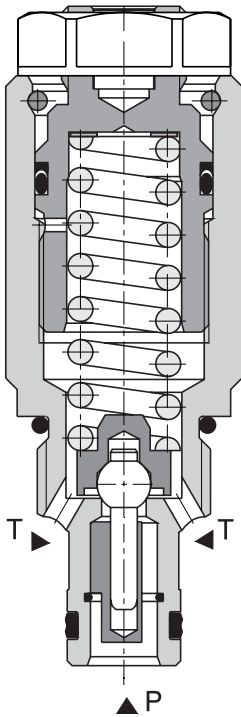


Pressure Relief Valve, Poppet Type, Direct Acting

**SR1A-A2**

3/4-16 UNF •  $Q_{max}$  30 l/min (8 GPM) •  $p_{max}$  350 bar (5100 PSI)



**Technical Features**

- › Excellent stability throughout flow range with rapid response to dynamic pressure changes
- › Low hysteresis, accurate pressure control and low pressure drop through CFD optimized flow paths
- › Wide pressure range up to 350 bar
- › Hardened precision parts
- › Sharp-edged steel seats for dirt-tolerant performance
- › Leak-free closing, suitable for fast cycling with long life
- › Adjustable by allen key or hand screw
- › In the standard version, the valve is zinc-coated for 240 h protection acc. to ISO 9227. Enhanced surface protection for mobile sector available for the steel parts (ISO 9227, 520 h salt spray)

**Functional Description**

A poppet type, direct acting hydraulic relief valve in the form of a screw-in cartridge intended for use as a pressure limiting device for common hydraulic circuit protection. The spring acts on the poppet and presses it onto the valve seat. If the hydraulic pressure is below the pre-set value, the valve is closed. If the hydraulic force exceeds the pre-set value the valve opens and flow passes to the tank port until the system pressure falls below the spring pre-set value and the valve closes again.

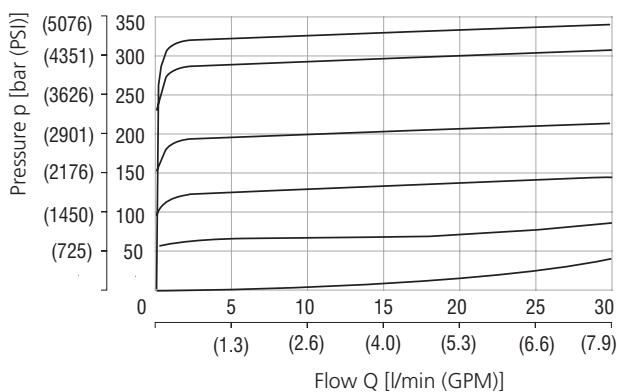


**Technical Data**

Valve size / Cartridge cavity		3/4-16 UNF-2A / A2 (C-8-2)	
Max. flow	l/min (GPM)	30 (7.9)	
Max. operating pressure	bar (PSI)	350 (5080)	
Max. pressure (port T)	bar (PSI)	160 (2320)	
Fluid temperature range (NBR)	°C (°F)	-30 ... +100 (-22 ... 212)	
Fluid temperature range (FPM)	°C (°F)	-20 ... +120 (-4 ... 248)	
Weight	kg (lbs)	0.13 (0.29)	
	Datasheet	Type	
General information	GI_0060	Products and operating conditions	
Valve bodies	In-line mounted	SB_0018	SB-A2*
	Sandwich mounted	SB-04(06)_0028	SB-*A2*
Cavity details / Form tools	SMT_0019	SMT-A2*	
Spare parts	SP_8010		

**Characteristics** measured at  $v = 32 \text{ mm}^2/\text{s}$  (156 SUS)

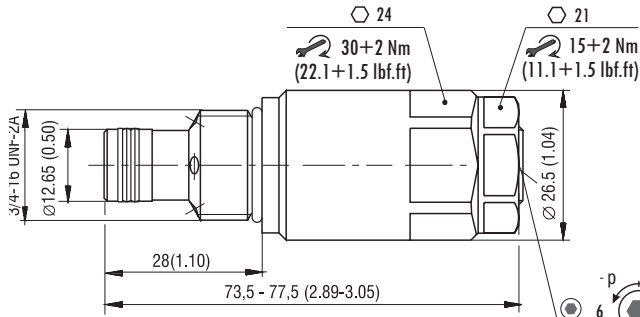
**Relief pressure related to flow rate**



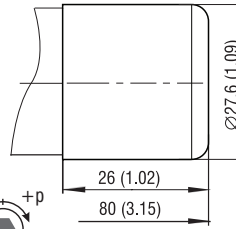
	Pressure range
6	35
5	25
4	16
3	10
2	6
1	Min. pressure setting

Dimensions in millimeters (inches)

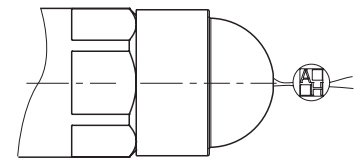
Model S



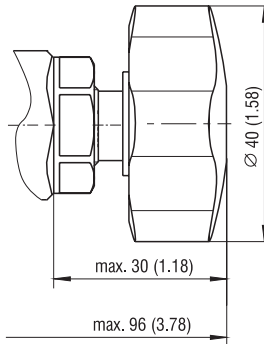
Model T



Model L



Typ RP



Ordering Code

SR1A-A2 / L [ ] [ ] [ ] - [ ]

Pressure relief valve, poppet type, direct acting

Valve cavity  
3/4-16 UNF (C-8-2)

Model  
Lightline

Pressure range  
up to 63 bar (914 PSI) 6  
up to 100 bar (1450 PSI) 10  
up to 160 bar (2320 PSI) 16  
up to 250 bar (3630 PSI) 25  
up to 350 bar (5080 PSI) 35

Surface treatment  
A zinc-coated (ZnCr-3), ISO 9227 (240 h)  
B zinc-coated (ZnNi), ISO 9227 (520 h)

No designation V  
Seals  
NBR  
FPM (Viton)

Adjustment option  
S allen key (hex. 6), without protective cap  
T allen key (hex. 6), with protective cap  
L allen key (hex. 6), with protective cap, sealable (lockwire holes)  
RP hand screw, plastic