

Flow and check valves → Supplementary products

Quick exhaust valve

► Qn = 1000 - 3500 l/min ► internal thread / internal thread



00108484

Version
Working pressure min./max.
Ambient temperature min./max.
Medium temperature
Medium

Poppet valve
0.5 bar / 10 bar
+0°C / +80°C
+0°C / +80°C
Compressed air

Materials:
Housing
Seals

Aluminum
Acrylonitrile Butadiene Rubber

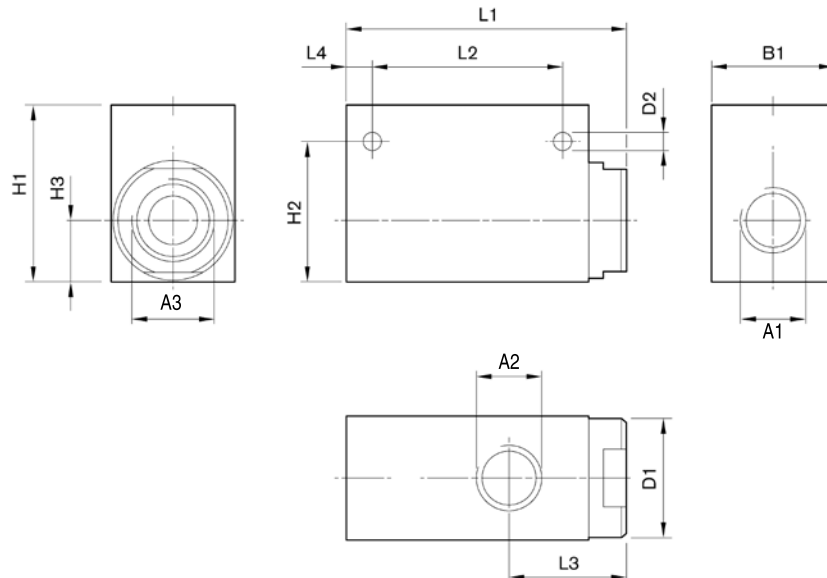
	Port 1	Port 2	Port 3 (Exhaust)	Qn 1►2	Qn 2►3	Weight	Part No.
				[l/min]	[l/min]	[kg]	
	G 1/4	G 1/4	G 3/8	1000	2050	0.11	0821002003
	G 3/8	G 3/8	G 3/8	2050	2050	0.12	0821002004
	G 1/2	G 1/2	G 3/4	3500	7000	0.3	0821002002

Port 2: internal thread

Port 3 (Exhaust): internal thread

Nominal flow Qn at 6 bar and $\Delta p = 1$ bar

Dimensions



00109123

Part No.	Port G	A1	A2	A3	B1	D1	D2	H1	H2	H3	L1	L2	L3	L4
0821002003	G 1/4	G 1/4	G 1/4	G 3/8	25	25	5.5	36	30.2	13.2	62	38	26	8.5
0821002004	G 3/8	G 3/8	G 3/8	G 3/8	25	25	5.5	42	30.2	13.2	62	38	26	8.5
0821002002	G 1/2	G 1/2	G 1/2	G 3/4	44	40	6	55	43	21	78.5	50	34.5	9

Supplementary products

Part numbers marked in bold are available from the central warehouse in Germany, see the shopping basket for more detailed information Pneumatics catalog, online PDF, as of 2013-06-23, © Bosch Rexroth Pneumatics GmbH, subject to change