

Flow and check valves → Supplementary products

Series CC01

► Qn = 32 - 5600 l/min ► direction of throttle: 1 → 2 ► internal thread - internal thread



00108479_1

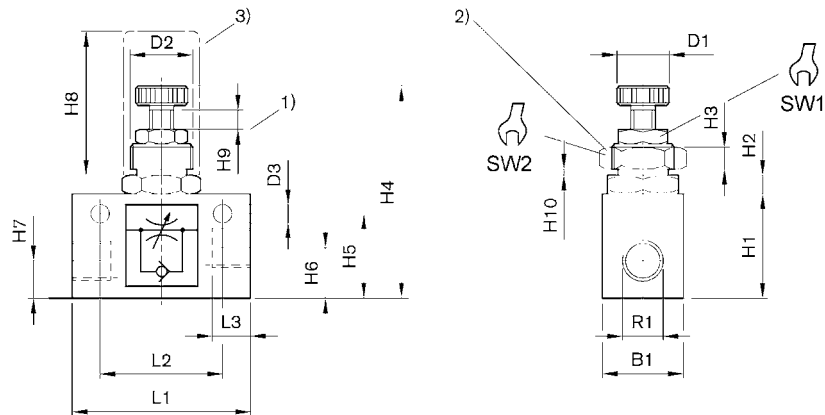
Working pressure min./max. 0.5 bar / 10 bar
 Ambient temperature min./max. +0°C / +80°C
 Medium temperature min./max. +0°C / +80°C
 Medium Compressed air

Materials:
 Housing Aluminum, anodized
 Flow control screw Steel, galvanized
 Seal Acrylonitrile Butadiene Rubber

| | Port 1 | Port 2 | Throttle bore Ø | Qn 1 → 2 | Weight | Delivery quantity | Fig. | Part No. |
|--|--------|--------|-----------------|----------|--------|-------------------|--------|-------------------|
| | | | [mm] | [l/min] | [kg] | [Piece] | | |
| | G 1/8 | G 1/8 | 1 | 32 | 0.04 | 1 | Fig. 1 | 0821200009 |
| | G 1/8 | G 1/8 | 2 | 130 | 0.04 | | Fig. 1 | 0821200008 |
| | G 1/4 | G 1/4 | 4 | 550 | 0.15 | | Fig. 1 | 0821200005 |
| | G 3/8 | G 3/8 | 9 | 1600 | 0.26 | | Fig. 2 | 0821200014 |
| | G 1/2 | G 1/2 | 8.5 | 2750 | 0.67 | | Fig. 3 | 0821200003 |
| | G 3/4 | G 3/4 | 17.5 | 5400 | 0.64 | | Fig. 4 | 0821200015 |
| | G 1 | G 1 | 17.5 | 5600 | 0.64 | | Fig. 4 | 0821200016 |

Nominal flow Qn at 6 bar and Δp = 1 bar

Fig. 1



00109106

- 1) throttle setting range
- 2) nut for control panel installation
- 3) protective cap

| Part No. | Port G | R1 | B1 | D1 | D2 | D3 | H1 | H2 | H3 | H4 | H5 | H6 |
|-------------------|--------|-------|----|----|---------|-----|----|-----|----|----|------|----|
| 0821200009 | G 1/8 | G 1/8 | 16 | 10 | M12x1 | 4.5 | 20 | 4 | 4 | 56 | 16.5 | 8 |
| 0821200008 | G 1/8 | G 1/8 | 16 | 10 | M12x1 | 4.5 | 20 | 4 | 4 | 56 | 16.5 | 8 |
| 0821200005 | G 1/4 | G 1/4 | 25 | 13 | M20x1,5 | 5.5 | 32 | 5.5 | 6 | 70 | 26 | 15 |

| Part No. | H7 | H8 | H9 | H10 | L1 | L2 | L3 | SW1 | SW2 |
|-------------------|----|----|----|-----|----|----|----|-----|-----|
| 0821200009 | 8 | 35 | 4 | 3.5 | 35 | 25 | 8 | 10 | 17 |
| 0821200008 | 8 | 35 | 4 | 3.5 | 35 | 25 | 8 | 10 | 17 |

Supplementary products

Part numbers marked in bold are available from the central warehouse in Germany, see the shopping basket for more detailed information Pneumatics catalog, online PDF, as of 2013-06-23, © Bosch Rexroth Pneumatics GmbH, subject to change

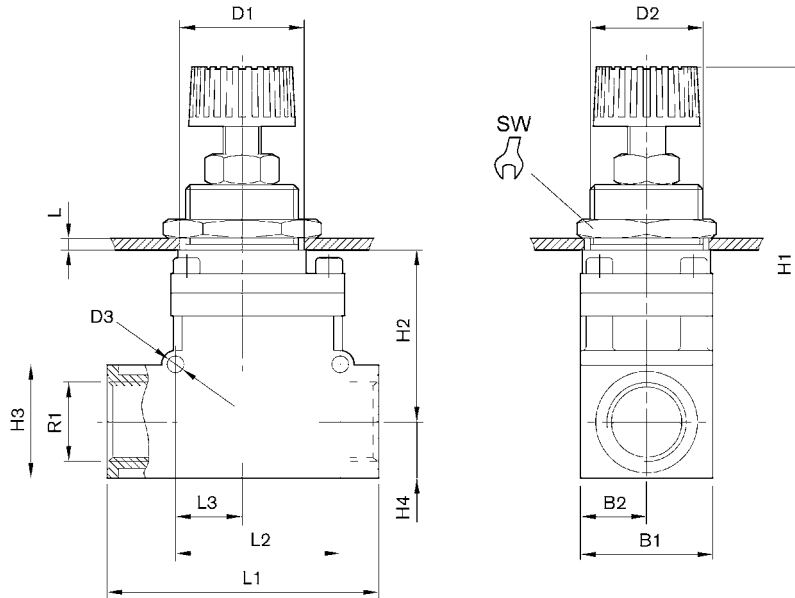
Flow and check valves → Supplementary products

Series CC01

► Qn = 32 - 5600 l/min ► direction of throttle: 1 → 2 ► internal thread - internal thread

| Part No. | H7 | H8 | H9 | H10 | L1 | L2 | L3 | SW1 | SW2 | | | |
|-------------------|----|----|----|-----|----|----|----|-----|-----|--|--|--|
| 0821200005 | 11 | 40 | 5 | 3.5 | 55 | 38 | 12 | 13 | 24 | | | |

Fig. 2



00109108

| Part No. | Port G | R1 | B1 | B2 | D1 | D2 | D3 | H1 | H2 | H3 | H4 | L 1) |
|-------------------|--------|-------|----|------|------|----|-----|---------|----|----|----|------|
| 0821200014 | G 3/8 | G 3/8 | 35 | 17.5 | 30.5 | 30 | 4.5 | 102-109 | 46 | 30 | 15 | 12 |

| Part No. | L1 | L2 | L3 | SW | | | | | | | | |
|-------------------|----|----|----|----|--|--|--|--|--|--|--|--|
| 0821200014 | 72 | 44 | 18 | 36 | | | | | | | | |

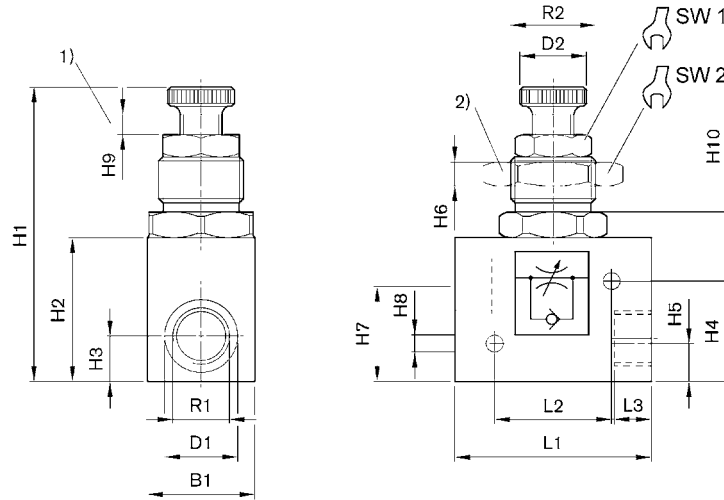
1) Max.

Flow and check valves → Supplementary products

Series CC01

► Qn = 32 - 5600 l/min ► direction of throttle: 1 → 2 ► internal thread - internal thread

Fig. 3



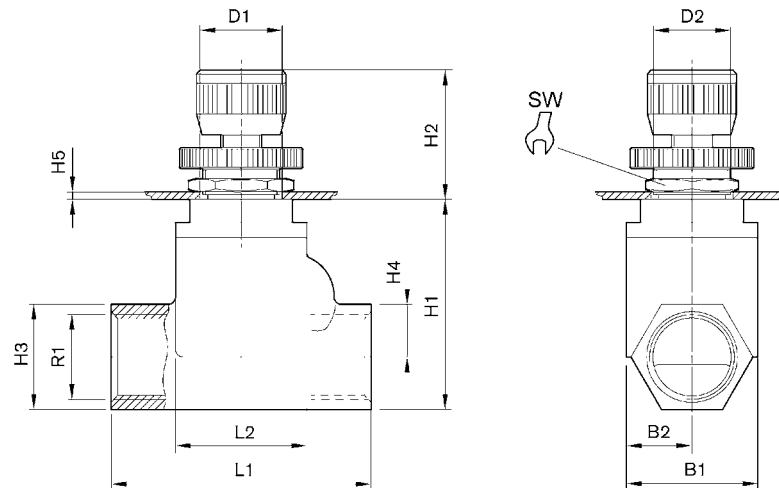
00109107

- 1) throttle setting range
- 2) nut for control panel installation

| Part No. | Port G | R1 | B1 | D1 | D2 | H1 | H2 | H3 | H4 | H5 | H6 | H7 |
|-------------------|--------|-------|--------|----|----|-----|---------|-----|------|------|----|----|
| 0821200003 | G 1/2 | G 1/2 | 40 | 27 | 25 | 120 | 56 | 17 | 40.5 | 15.5 | 9 | 37 |
| Part No. | H8 | H9 | H10 1) | L1 | L2 | L3 | R2 | SW1 | SW2 | | | |
| 0821200003 | 6.5 | 8 | 9 | 75 | 45 | 14 | M32x1,5 | 24 | 46 | | | |

1) Max.

Fig. 4



00109110

Supplementary products

Part numbers marked in bold are available from the central warehouse in Germany, see the shopping basket for more detailed information Pneumatics catalog, online PDF, as of 2013-06-23, © Bosch Rexroth Pneumatics GmbH, subject to change

Flow and check valves → Supplementary products
Series CC01
► Qn = 32 - 5600 l/min ► direction of throttle: 1 → 2 ► internal thread - internal thread

| Part No. | Port G | R1 | B1 | B2 | D1 | D2 | H1 | H2 | H3 | H4 | H5 1) | L1 |
|-------------------|--------|-------|----|----|------|----|----|---------|----|------|-------|-----|
| 0821200015 | G 3/4 | G 3/4 | 50 | 25 | 30.5 | 30 | 82 | 47-57,5 | 41 | 20.5 | 6 | 100 |
| 0821200016 | G 1 | G 1 | 50 | 25 | 30.5 | 30 | 82 | 47-57,5 | 41 | 20.5 | 6 | 100 |

| Part No. | L2 | SW | | | | | | | | | | |
|-------------------|----|----|--|--|--|--|--|--|--|--|--|--|
| 0821200015 | 51 | 36 | | | | | | | | | | |
| 0821200016 | 51 | 36 | | | | | | | | | | |

1) Max.