

Flow and check valves → Supplementary products

Check-choke valve, Series CC02

► Qn = 85 - 900 l/min ► direction of throttle: 2 → 1 ► exhaust air throttling ► external thread



Working pressure min./max.
Ambient temperature min./max.
Medium temperature min./max.
Medium

0.5 bar / 10 bar
+0°C / +70°C
+0°C / +70°C
Compressed air

Materials:
Flow control screw
Seal
Port

Brass, nickel-plated
Acrylonitrile Butadiene Rubber
Brass, nickel-plated

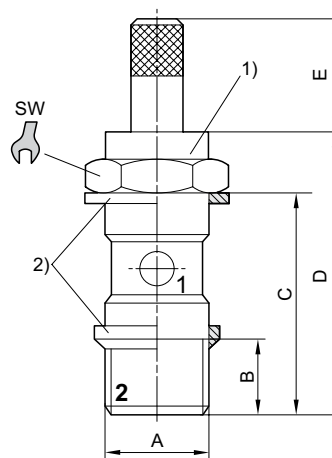
Technical Remarks

- Only applicable in combination with banjo union (see accessories)

	Port 2	Throttle bore Ø	Qn 2 → 1		Weight [kg]	Fig.	Part No.
			[mm]	[l/min]			
	M5	1.5	85	0.005	Fig. 3	0821200214	
	G 1/8	3	360	0.03	Fig. 1	0821200212	
	G 1/8	3	360	0.02	Fig. 2	0821200215	
	G 1/4	4.5	540	0.05	Fig. 1	0821200213	
	G 1/4	4.5	540	0.035	Fig. 2	0821200216	
	G 3/8	6.5	900	0.072	Fig. 2	0821200217	

Nominal flow Qn at 6 bar and $\Delta p = 1$ bar

Fig. 1



00109103_a

- 1) ID mark on the base of the valve body
2) Plastic seal

Supplementary products

Part numbers marked in bold are available from the central warehouse in Germany, see the shopping basket for more detailed information Pneumatics catalog, online PDF, as of 2013-07-16, © Bosch Rexroth Pneumatics GmbH, subject to change

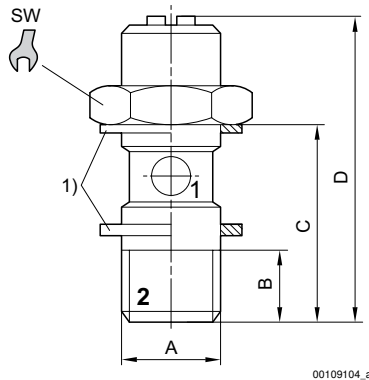
Flow and check valves → Supplementary products

Check-choke valve, Series CC02

► Qn = 85 - 900 l/min ► direction of throttle: 2 → 1 ► exhaust air throttling ► external thread

Part No.	A	B	C	D	E	SW						
0821200212	G 1/8	8	23.5	34	13.5	13						
0821200213	G 1/4	11.5	27	37.5	16.5	16						

Fig. 2

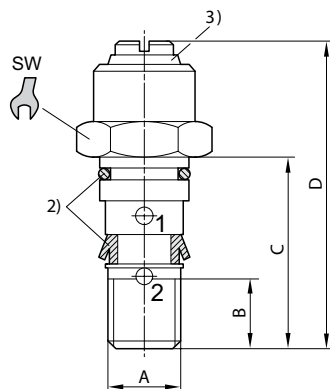


00109104_a

1) Plastic seal

Part No.	A	B	C	D	SW							
0821200215	G 1/8	8	23.5	33.5	13							
0821200216	G 1/4	11.5	27	37.5	16							
0821200217	G 3/8	12	32	51	21							

Fig. 3



00109105

Valve body with ID mark for inlet throttling

2) Plastic seal

3) Plastic seal

Part No.	A	B	C	D	SW							
0821200214	M5	4.5	15.5	22.5	8							

Supplementary products

Part numbers marked in bold are available from the central warehouse in Germany, see the shopping basket for more detailed information
Pneumatics catalog, online PDF, as of 2013-07-16, © Bosch Rexroth Pneumatics GmbH, subject to change