

**Directional valves ▶ Pneumatically operated, according to standard**

**ISO 5599-1, size 2, series IS12**  
**Accessories**

**Throttle plate**

▶ standard: ISO 5599-1 ▶ Frame size: ISO 2



00107463

**Standards**

Ambient temperature min./max.  
 Medium temperature min./max.  
 Medium  
 Working pressure min./max.

ISO 5599-1

+32 °F / +176 °F  
 +32 °F / +176 °F  
 Compressed air  
 0 psi / 232 psi

**Materials:**

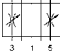
Base plate  
 Seals

Aluminum

Acrylonitrile Butadiene Rubber

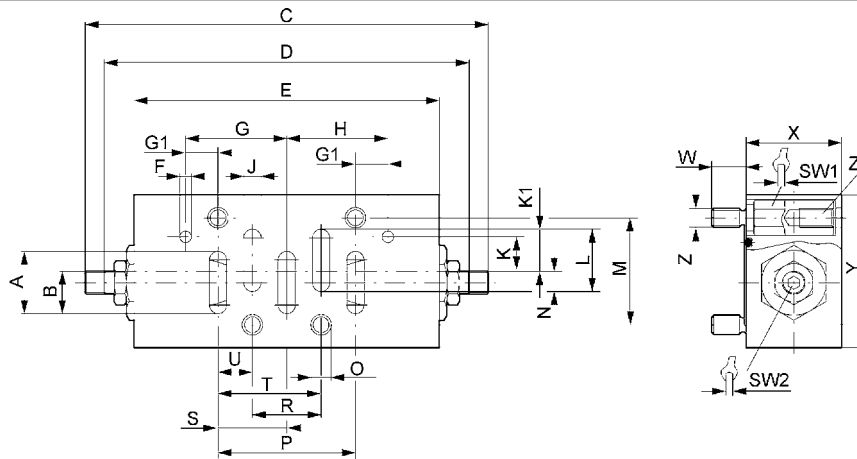
**Technical Remarks**

- The min. control pressure must be adhered to, since otherwise faulty switching and valve failure may result!
- The pressure dew point must be at least 27 °F under ambient and medium temperature and may not exceed 37 °F.
- The oil content of compressed air must remain constant during the life cycle.
- Use only the approved oils from AVENTICS, see chapter „Technical information“.

	Frame size	Weight lbs [lbs]	Part No.
	ISO 2	0.9788	<b>0821201024</b>

Scope of delivery incl. seal and mounting screws

**Dimensions**



00107465\_a

Part No.	A	B	C	D	E	F	G	G1	H	J	K	K1
<b>0821201024</b>	22	13,5	128.6	118.6	102	3	34	10	34	7	10	13.5

All dimensions in mm, unless specified otherwise.

Part numbers marked in bold are available from the central warehouse in Germany, see the shopping basket for more detailed information

Pneumatics catalog, online PDF, as of 2016-07-16, ©AVENTICS S.à r.l., subject to change

Directional valves ► Pneumatically operated, according to standard

**ISO 5599-1, size 2, series IS12**

Accessories

Part No.	L	M	N	O	P	R	S	SW1	SW2	T	U	W
<b>0821201024</b>	22	38	8.5	6.2	48	24	24	9	3	36	12	9

Part No.	X	Y	Z	Z1	Weight kg							
<b>0821201024</b>	25	55	M6	M6-10	0.444							

All dimensions in mm, unless specified otherwise.

Part numbers marked in bold are available from the central warehouse in Germany, see the shopping basket for more detailed information

Pneumatics catalog, online PDF, as of 2016-07-16, ©AVENTICS S.à r.l., subject to change