

## Pneumatic connection technologies → Couplings

## Lock coupling with external thread, Series CP1

► NW 2.7 - 10 mm



00010783



Working pressure min./max.  
Ambient temperature min./max.  
Medium temperature min./max.  
Medium

0 bar / 16 bar  
-10 °C / +90 °C  
-10 °C / +90 °C  
Compressed air

## Materials:

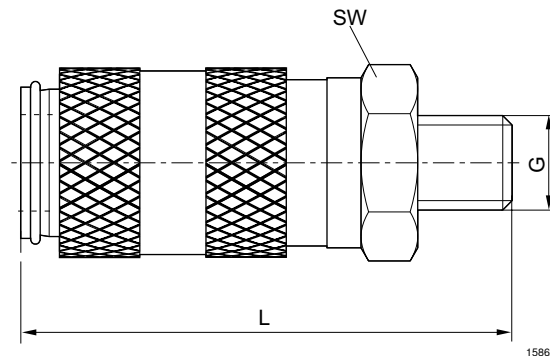
Housing  
Release bushing  
Seal  
Port

Brass, nickel-plated  
Brass, nickel-plated  
Acrylonitrile Butadiene Rubber  
Brass, nickel-plated

The delivered product may vary from that in the illustration.

Nominal width	Port G	Qn	Weight	Fig.	Delivery quantity	Part No.
		[l/min]	[kg]			
2.7	M5	210	0.008	Fig. 1	2	<b>1823376006</b>
5	G 1/8	500	0.034	Fig. 2	2	<b>1823376000</b>
	G 1/4		0.035			<b>R412010276</b>
7.2	G 1/4	1500	0.068	Fig. 3	2	<b>1823376001</b>
7.8	G 1/4	2300	0.098	Fig. 4	1	<b>1823376034</b>
7.2	G 3/8	1500	0.07	Fig. 3	2	<b>1823376002</b>
7.8	G 3/8	2300	0.107	Fig. 4	1	<b>1823376035</b>
7.2	G 1/2	1500	0.077	Fig. 3	2	<b>1823376014</b>
7.8	G 1/2	2300	0.131	Fig. 4	1	<b>1823376036</b>
10	G 1/2	3200	0.255	Fig. 5	1	<b>1823376003</b>

Fig. 1



15862

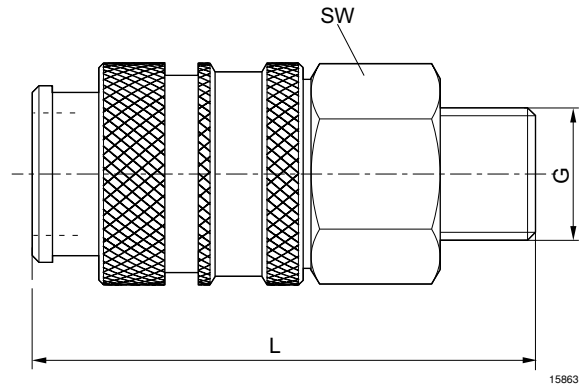
Part No.	Port G	Nominal width	L	SW								
<b>1823376006</b>	M5	2.7	26	9								

## Pneumatic connection technologies → Couplings

## Lock coupling with external thread, Series CP1

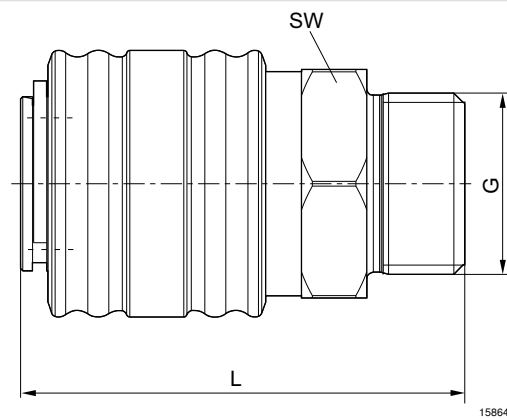
► NW 2.7 - 10 mm

Fig. 2



Part No.	Port G	Nominal width	L	SW								
<b>1823376000</b>	G 1/8	5	37	14								
<b>R412010276</b>	G 1/4	5	39	17								

Fig. 3



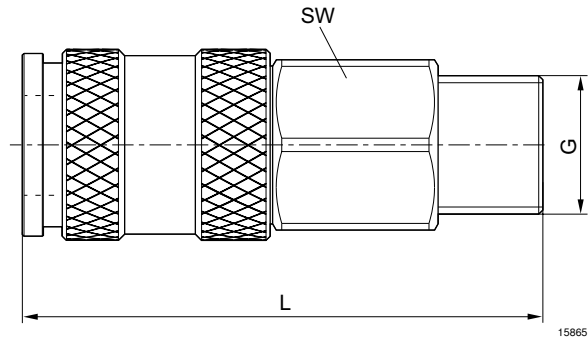
Part No.	Port G	Nominal width	L	SW								
<b>1823376001</b>	G 1/4	7.2	41	21								
<b>1823376002</b>	G 3/8	7.2	41	21								
<b>1823376014</b>	G 1/2	7.2	41	21								

Pneumatic connection technologies → Couplings

**Lock coupling with external thread, Series CP1**

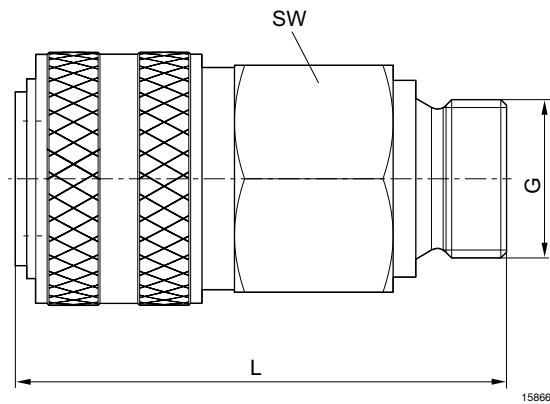
► NW 2.7 - 10 mm

Fig. 4



Part No.	Port G	Nominal width	L	SW								
<b>1823376034</b>	G 1/4	7.8	63	19								
<b>1823376035</b>	G 3/8	7.8	63	21								
<b>1823376036</b>	G 1/2	7.8	63	24								

Fig. 5



Part No.	Port G	Nominal width	L	SW								
<b>1823376003</b>	G 1/2	10	65	30								