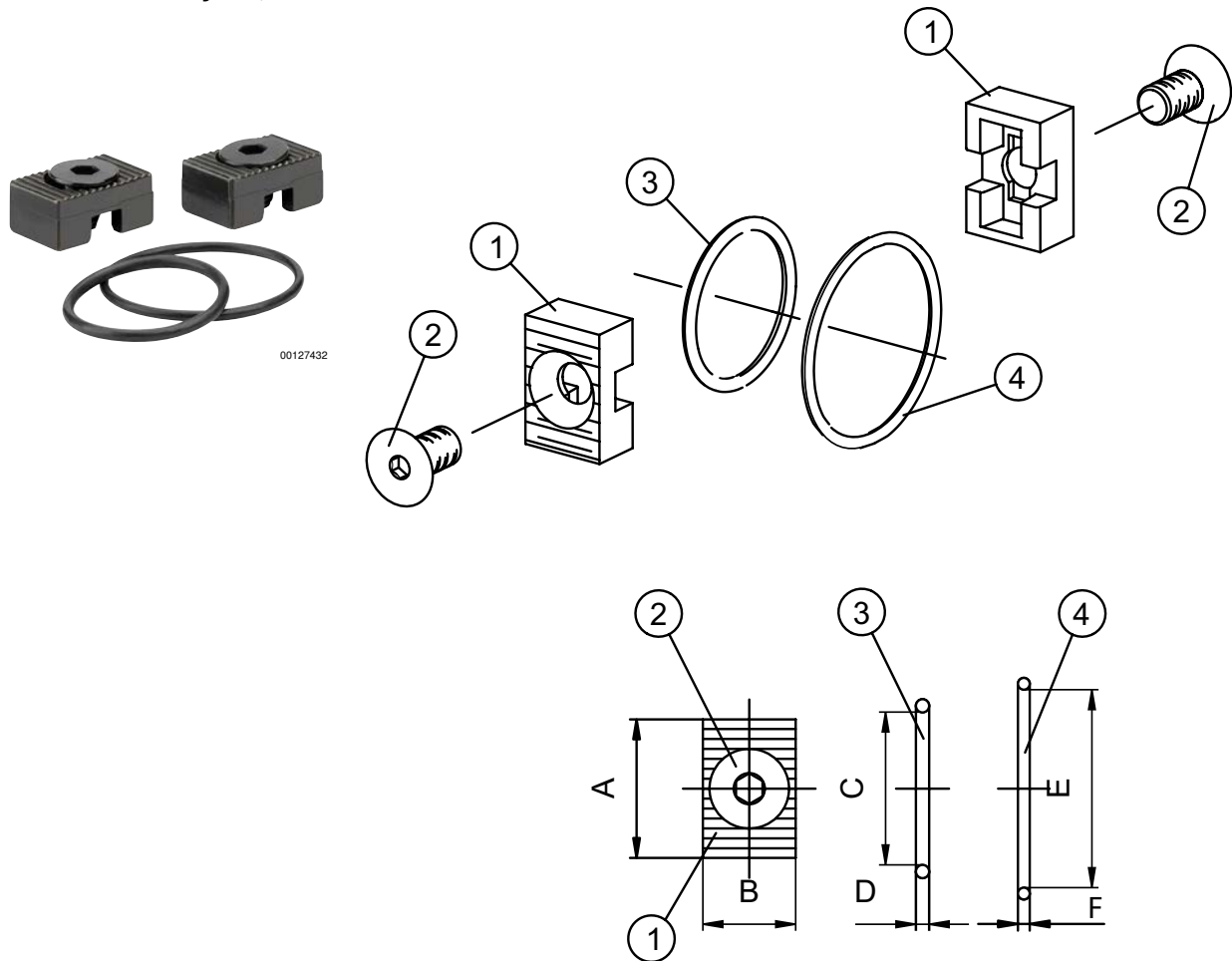


Preparation of compressed air → Supplementary products

Series NL4
Accessories

Block assembly kit, Series NL4-W04



1) clamp mounting 2) screw 3) O-ring 4) O-ring

Part No.	A	B	C	D	E	F	Weight [kg]	Note				
1827009360	20.9	14	23	2	29.87	1.78	0.0248	1)				
1) Scope of delivery: 2 clamp mountings, 2 screws ISO 10642 M6x10-8.8, 2 O-rings to assemble two modules into blocks												

Supplementary products

Part numbers marked in bold are available from the central warehouse in Germany, see the shopping basket for more detailed information Pneumatics catalog, online PDF, as of 2013-06-22, © Bosch Rexroth Pneumatics GmbH, subject to change