

Electrical connection technologies → Electrical connection technologies

Electrical connectors, Series CN1
 ▶ ISO 6952 ▶ Electrical connector, form B

| | |
|----------------------------------|-----------------|
| Ambient temperature min./max. | -25 °C / +40 °C |
| Protection class | IP 65 |
| Cable fitting | M16x1,5 |
| mounting screw tightening torque | 0.4 Nm |



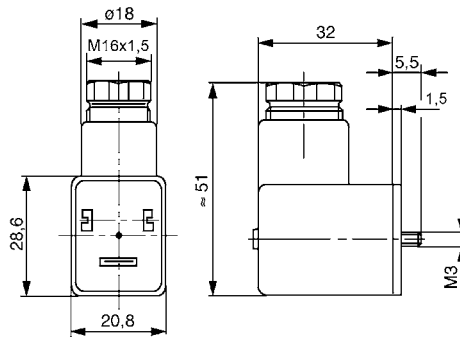
00110264_b

| | Operating voltage | | Max. current | Contact assignment | Cable exit | Protective circuit | suitable cable-Ø min./max | Part No. |
|--|-------------------|-----|--------------|--------------------|------------|--------------------|---------------------------|-------------------|
| | DC | AC | | | | | | |
| | [V] | [V] | [A] | | | | [mm] | |
| | 300 | - | 10 | 2+E | angled 90° | - | 5 / 8 | 1834484096 |
| | 24 | 24 | - | 2+E | angled 90° | Z-diode | 5 / 8 | 1834484104 |
| | - | 110 | - | 2+E | angled 90° | Varistor | 5 / 8 | 1834484105 |
| | - | 230 | - | 2+E | angled 90° | Varistor | 5 / 8 | 1834484106 |

| Part No. | number of plug options 1 | LED status display | Housing color | Weight | Fig. | Note |
|-------------------|--------------------------|--------------------|---------------|--------|--------|--------|
| | | | | [kg] | | |
| 1834484096 | 2 positions each 180° | - | Black | 0.02 | Fig. 1 | 1); 3) |
| 1834484104 | 2 positions each 180° | Yellow | Transparent | 0.02 | Fig. 2 | 1); 4) |
| 1834484105 | 2 positions each 180° | Red | Transparent | 0.02 | Fig. 2 | 1); 4) |
| 1834484106 | 2 positions each 180° | Red | Transparent | 0.02 | Fig. 2 | 2); 4) |

- 1) Profile seal
- 2) Flat gasket
- 3) Seal: caoutchouc/butadiene caoutchouc
- 4) Seal: Silicone caoutchouc

Fig. 1



00110261_c

Electrical connection technologies → Electrical connection technologies

Electrical connectors, Series CN1

► ISO 6952 ► Electrical connector, form B

Fig. 2

