

Electrical connection technologies → Electrical connection technologies

Electrical connectors, Series CN1
 ▶ ISO 6952 ▶ Electrical connector, form B

Ambient temperature min./max. -25 °C / +40 °C
 Protection class IP 65
 Cable fitting M16x1,5
 mounting screw tightening torque 0.4 Nm



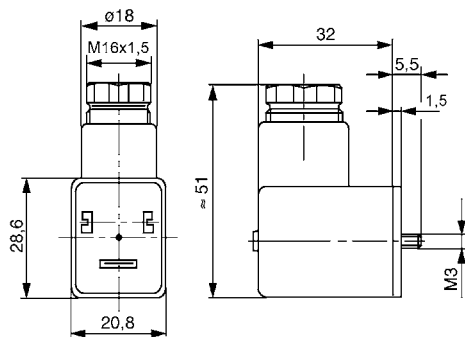
00110264_b

	Operating voltage		Max. current	Contact assignment	Cable exit	Protective circuit	suitable cable-Ø min./max	Part No.
	DC	AC						
	[V]	[V]	[A]				[mm]	
	300	-	10	2+E	angled 90°	-	5 / 8	1834484096
	24	24	-	2+E	angled 90°	Z-diode	5 / 8	1834484104
	-	110	-	2+E	angled 90°	Varistor	5 / 8	1834484105
	-	230	-	2+E	angled 90°	Varistor	5 / 8	1834484106

Part No.	number of plug options 1	LED status display	Housing color	Weight	Fig.	Note
				[kg]		
1834484096	2 positions each 180°	-	Black	0.02	Fig. 1	1); 3)
1834484104	2 positions each 180°	Yellow	Transparent	0.02	Fig. 2	1); 4)
1834484105	2 positions each 180°	Red	Transparent	0.02	Fig. 2	1); 4)
1834484106	2 positions each 180°	Red	Transparent	0.02	Fig. 2	2); 4)

- 1) Profile seal
- 2) Flat gasket
- 3) Seal: caoutchouc/butadiene caoutchouc
- 4) Seal: Silicone caoutchouc

Fig. 1



00110261_c

Electrical connection technologies → Electrical connection technologies

Electrical connectors, Series CN1

► ISO 6952 ► Electrical connector, form B

Fig. 2

