

Electrical connection technologies → Electrical connection technologies

Electrical connectors, Series CN1

► Electrical connector, Form B, industry

Ambient temperature min./max.	-25°C / +40°C
Protection class	IP 65
Cable fitting	M16x1,5
mounting screw tightening torque	0.4 Nm



00110264_c

Technical Remarks

- For security reasons, the electrical connector must be plugged properly and centrally.

	Operating voltage		Max. current	Contact assignment	Cable exit	Protective circuit	suitable cable-Ø min./max	Part No.
	DC	AC						
	[V]	[V]	[A]				[mm]	
	300	-	10	2+E	angled 90°	-	4 / 8	1834484051
	24	24	-	2+E	angled 90°	Z-diode	4 / 8	1834484107
	-	110 230	-	2+E	angled 90°	Varistor	4 / 8	1834484108 1834484109

Part No.	number of plug options 1	LED status display	Housing color	Weight	Fig.	Note
				[kg]		
1834484051	2 positions each 180°	-	Black	0.02	Fig. 1	1); 3)
1834484107	2 positions each 180°	Yellow	Transparent	0.02	Fig. 2	2); 4)
1834484108 1834484109	2 positions each 180°	Red	Transparent	0.02	Fig. 2	1); 4) 2); 4)

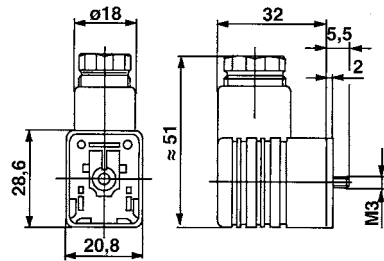
- 1) Profile seal
- 2) Flat gasket
- 3) Seal: caoutchouc/butadiene caoutchouc
- 4) Seal: Silicone caoutchouc

Electrical connection technologies → Electrical connection technologies

Electrical connectors, Series CN1

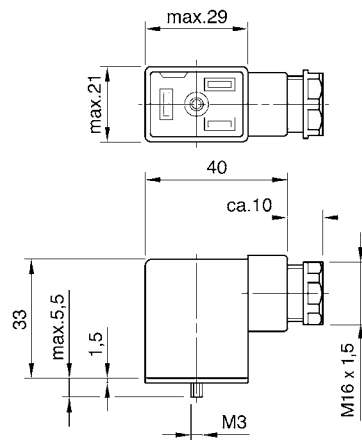
► Electrical connector, Form B, industry

Fig. 1



D440_037_b

Fig. 2



00110276