

Pneumatic connection technologies → Push-In fittings

Series QR1-S standard

► Angled plug connector ► push-in fitting ► Ø 4 - Ø16 ► push-in fitting ► Ø 4 - Ø16 ► QR1-S-RVK



Ambient temperature min./max.

+0°C / +60°C

Working pressure min./max.

-0.95 bar / 10 bar

Materials:

Screw

nickel-plated

Housing

Polybutyleneterephthalate

Seal

Acrylonitrile Butadiene Rubber

Tooth lock washer

Stainless steel

Release ring

Polyoxymethylene

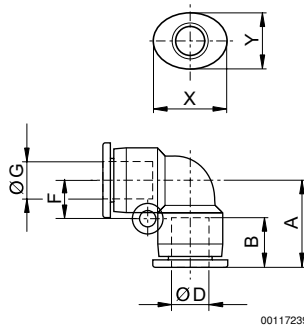
Release ring holder

Die cast zinc; Brass, nickel-plated

Technical Remarks

- The series QR1 (plastic) and QR2 (metal) can not be combined
- For further information about assembling and tolerances of adaptable tubing, see the section "Technical information".

Dimensions



Part No.	Port G	Port D	Ø dx	A	B	F	X	Y	Delivery quantity [Piece]	Weight [kg]
2121204000	Ø 4	Ø 4	2.2	18.7	16	6	12	10	10	0.0047
2121206000	Ø 6	Ø 6	3.2	20.4	17	8	14	12	10	0.0062
2121208000	Ø 8	Ø 8	4.2	22.8	18.5	10	16	14	10	0.0087
2121210000	Ø 10	Ø 10	4.2	26.1	21	12	19	17	10	0.0151
2121212000	Ø 12	Ø 12	4.2	29	22.5	14	23	21	10	0.0207
2121214000	Ø 14	Ø 14	-	32.1	24.6	13.5	25	23	5	0.0367
R412005033	Ø16	Ø16	5.3	31.1	24.8	16.3	27	24	5	0.0365