

Electrical connection technologies → Electrical connection technologies

**Electrical connectors, Series CN1**

► ISO 15217:2000 ► Electrical connector, form C



4400-141

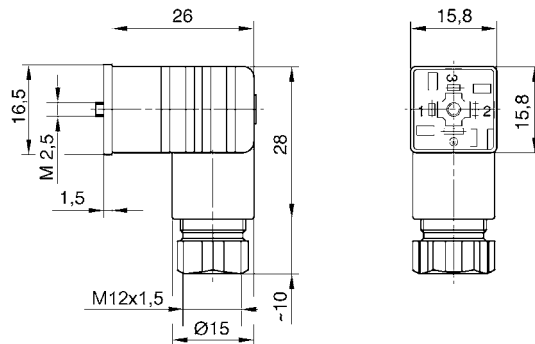
Ambient temperature min./max.	-40 °C / +90 °C
Protection class	IP 65
Cable fitting	M12x1,5
mounting screw tightening torque	0.4 Nm

	Operating voltage		Contact assignment	Cable exit	Protective circuit	number of plug options 1	Part No.
	DC [V]	AC [V]					
	230	-	2+E	angled 90°	-	4 positions each 90°	<b>1834484187</b>
	24	24	2+E	angled 90°	Z-diode	4 positions each 90°	<b>4402050330</b>

Part No.	LED status display	Housing color	Weight [kg]	Fig.	Note
<b>1834484187</b>	-	Black	0.012	Fig. 1	1); 2)
<b>4402050330</b>	Yellow	Transparent	0.014	Fig. 2	-

- 1) Profile seal
- 2) Seal: caoutchouc/butadiene caoutchouc

**Fig. 1**

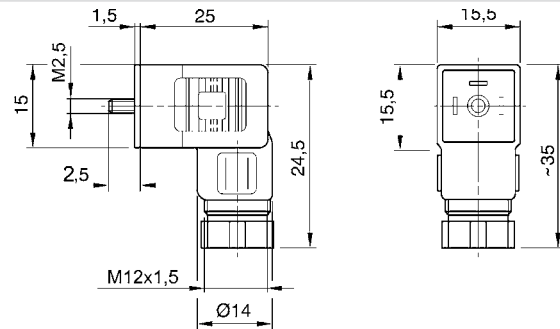


00110255

**Electrical connection technologies → Electrical connection technologies****Electrical connectors, Series CN1**

► ISO 15217:2000 ► Electrical connector, form C

Fig. 2



00110253\_m