

## Flow and check valves → Supplementary products

## Series CC01

► Qn = 100 - 1650 l/min ► direction of throttle: 1 → 2 ► internal thread - internal thread



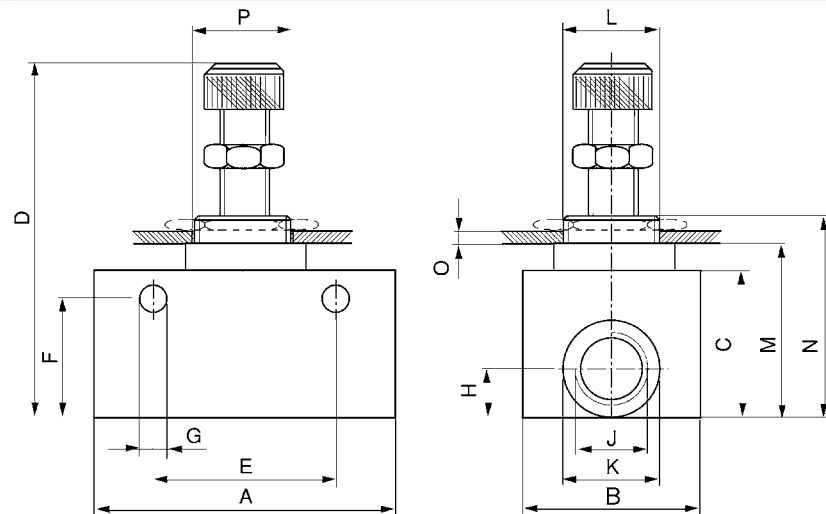
Working pressure min./max. 0.5 bar / 10 bar  
 Ambient temperature min./max. +0°C / +80°C  
 Medium temperature min./max. +0°C / +80°C  
 Medium Compressed air

Materials:  
 Housing  
 Seal

Aluminum, anodized  
 Acrylonitrile Butadiene Rubber

|   | Port 1 | Port 2 | Qn<br>1 → 2<br>[l/min] | Weight<br>[kg] | Delivery<br>quantity<br>[Piece] | Part No.          |
|---|--------|--------|------------------------|----------------|---------------------------------|-------------------|
|   | M5     | M5     | 130                    | 0.05           | 1                               | <b>5341120000</b> |
|   | G 1/8  | G 1/8  | 100                    | 0.05           |                                 | <b>5341121100</b> |
|   | G 1/4  | G 1/4  | 500                    | 0.07           |                                 | <b>5341122100</b> |
|   | G 3/8  | G 3/8  | 1300                   | 0.08           |                                 | <b>5341123100</b> |
|   | G 1/2  | G 1/2  | 1650                   | 0.09           |                                 | <b>5341124100</b> |
| Nominal flow Qn at 6 bar and Δp = 1 bar |        |        |                        |                |                                 |                   |

## Dimensions



D534\_112

| Part No.          | Port G | J     | A  | B  | C  | D     | E  | F    | Ø G | H  | Ø K  |
|-------------------|--------|-------|----|----|----|-------|----|------|-----|----|------|
| <b>5341120000</b> | M5     | M5    | 26 | 14 | 16 | 40–45 | 18 | 12.5 | 4.4 | 6  | 8.7  |
| <b>5341121100</b> | G 1/8  | G 1/8 | 32 | 16 | 22 | 44–56 | 24 | 18   | 4.3 | 10 | 14.4 |
| <b>5341122100</b> | G 1/4  | G 1/4 | 55 | 25 | 32 | 66–74 | 35 | 25   | 6.4 | 12 | 19.5 |
| <b>5341123100</b> | G 3/8  | G 3/8 | 58 | 30 | 40 | 78–93 | 44 | 33   | 6.6 | 14 | 23   |
| <b>5341124100</b> | G 1/2  | G 1/2 | 68 | 30 | 40 | 77–92 | 50 | 33   | 6.4 | 14 | 27.5 |

| Part No.          | L       | M    | N    | O | Ø P  |
|-------------------|---------|------|------|---|------|
| <b>5341120000</b> | M10x1   | 20   | 26   | 2 | 10.5 |
| <b>5341121100</b> | M12x1   | 26   | 33.6 | 2 | 12.5 |
| <b>5341122100</b> | M20x1,5 | 37.8 | 47.9 | 3 | 20.5 |
| <b>5341123100</b> | M24x1,5 | 47   | 57   | 3 | 25   |

## Supplementary products

Part numbers marked in bold are available from the central warehouse in Germany, see the shopping basket for more detailed information Pneumatics catalog, online PDF, as of 2013-06-23, © Bosch Rexroth Pneumatics GmbH, subject to change

**Flow and check valves → Supplementary products**


---

**Series CC01**

► Qn = 100 - 1650 l/min ► direction of throttle: 1 → 2 ► internal thread - internal thread

---

| Part No.          | L       | M  | N  | O | Ø P |  |  |  |  |  |  |  |
|-------------------|---------|----|----|---|-----|--|--|--|--|--|--|--|
| <b>5341124100</b> | M24x1,5 | 47 | 57 | 3 | 25  |  |  |  |  |  |  |  |

---