

Flow and check valves → Supplementary products

Shuttle valve (OR)

► Compressed air connection input: M5 - G 1/4 ► compressed air connection output: M5 - G 1/4



PS34_200

Version	Poppet valve
Sealing principle	soft sealing
Working pressure min./max.	See table below
Ambient temperature min./max.	-20 °C / +70 °C
Medium temperature min./max.	-20 °C / +70 °C
Medium	Compressed air
Max. particle size	5 μm
Oil content of compressed air	0 mg/m ³ - 1 mg/m ³

Materials:	
Housing	See table below
Seals	Acrylonitrile Butadiene Rubber
Threaded bushing	See table below

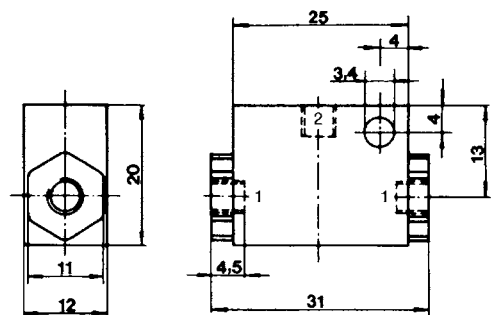
Technical Remarks

- The pressure dew point must be at least 15 °C under ambient and medium temperature and may not exceed 3 °C.
- The oil content of compressed air must remain constant during the life cycle.
- Use only the approved oils from Bosch Rexroth, see chapter „Technical information“.

	Compressed air connection		Nominal width	Working pressure min./max.	Weight	Fig.	Part No.
	Input	Output					
				[bar]	[kg]		
	M5	M5	2	1 / 10	0.015	Fig. 1	5342000000
	G 1/8	G 1/8	4	0.5 / 10	0.12	Fig. 2	5342010100
	Ø6x1	Ø6x1	4	0.5 / 10	0.12	Fig. 3	5342010200
	G 1/4	G 1/4	5	0.3 / 10	0.8	Fig. 4	5340170100

Nominal flow Qn at 6 bar and Δp = 1 bar

Fig. 1



D534_200_a

Supplementary products

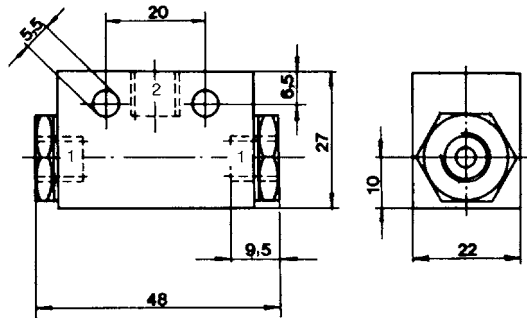
Part numbers marked in bold are available from the central warehouse in Germany, see the shopping basket for more detailed information Pneumatics catalog, online PDF, as of 2013-06-23, © Bosch Rexroth Pneumatics GmbH, subject to change

Flow and check valves → Supplementary products

Shuttle valve (OR)

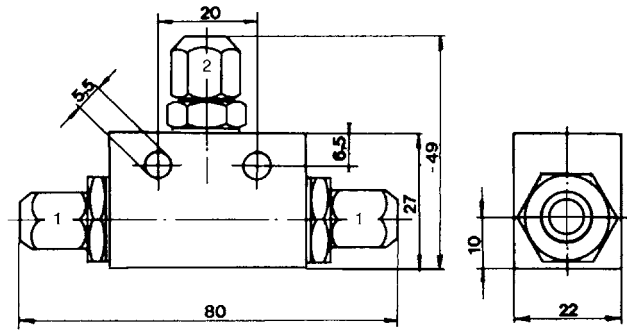
► Compressed air connection input: M5 - G 1/4 ► compressed air connection output: M5 - G 1/4

Fig. 2



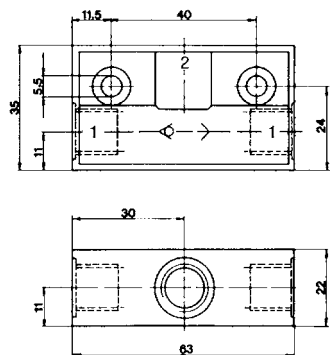
D534_200_b

Fig. 3



D534_200_c

Fig. 4



D534_200_d

Supplementary products

Part numbers marked in bold are available from the central warehouse in Germany, see the shopping basket for more detailed information
Pneumatics catalog, online PDF, as of 2013-06-23, © Bosch Rexroth Pneumatics GmbH, subject to change