

3/2 and 5/2 Valve, Series 589, ND 4, 6x1 or 8x1 mm dia.

3/2 Single valve, solenoid operated, NC, blockable

Rexroth
Bosch Group



Technical Data

Valve type	Poppet valve	
Working pressure range	min. 3 bar (44 psi) Max. 8 bar to +50 °C (Max. 116 psi to +122 °F) Max. 10 bar to +40 °C (Max. 145 psi to +104 °F)	
Vacuum	Port 1: Port 3:	min. 3 bar (44 psi) min. -0.95 bar (-14 psi)
Nominal flow rate at 6 bar (87 psi), $\Delta p = 1$ bar (15 psi)	Qn	See table
Ambient temperature range	-15 °C to +50 °C (at $p_{max} = 8$ bar) (+5 °F to +122 °F (at $p_{max} = 116$ psi))	
Medium	Compressed air, lubricated or non-lubricated	
Weight	0.093 kg (0.205 lbs)	
Materials	Valve body Seals	PA (Polyamide) NBR and PU (Nitrile Butadiene Rubber, Polyurethane)
Voltage tolerances	DC $\pm 10\%$ AC - 15 % + 10 % AC - 10 % + 15 %	
Power consumption	50 Hz 60 Hz	1.6 W 1.7 W
24 V DC	without LED-indic. with LED-indic.	3.1 / 2.7 VA 2.2 / 1.9 VA
Inrush power	220 V AC 50/60 Hz	B to VDE 0580
Holding power	220 V AC 50/60 Hz	IP 65 to IEC 529 (DIN VDE 0470)
Insulation class	100 %	
Protection with el. connector	18 ms	
Duty cycle	16 ms	
Switching times	t_f fill t_e exhaust	



Application area

Suitable for all mechanical control systems in stationary application, especially corrosion proof or lightweight applications.

Part no.

	Qn (l/min) (Cv)	Port 1	Port 2	Port 3	Voltages	Part no. *
	750 (0.75)	tube 8 x 1	tube 8 x 1	tube 8 x 1	12 V DC	5894600210
	750 (0.75)	tube 8 x 1	tube 8 x 1	tube 8 x 1	24 V DC	5894600220
	750 (0.75)	tube 8 x 1	tube 8 x 1	tube 8 x 1	24 V DC**	5894600620
	750 (0.75)	tube 8 x 1	tube 8 x 1	tube 8 x 1	24 V AC	5894605220
	750 (0.75)	tube 8 x 1	tube 8 x 1	tube 8 x 1	110 V AC	5894605270
	750 (0.75)	tube 8 x 1	tube 8 x 1	tube 8 x 1	220/230 V AC	5894605280
	750 (0.75)	tube 8 x 1	tube 8 x 1	tube 8 x 1	220/230 V AC ***	5894605680
	520 (0.52)	tube 6 x 1	tube 6 x 1	tube 8 x 1	12 V DC	5894400210
	520 (0.52)	tube 6 x 1	tube 6 x 1	tube 8 x 1	24 V DC	5894400220
	520 (0.52)	tube 6 x 1	tube 6 x 1	tube 8 x 1	24 V DC**	5894400620
	520 (0.52)	tube 6 x 1	tube 6 x 1	tube 8 x 1	24 V AC	5894405220
	520 (0.52)	tube 6 x 1	tube 6 x 1	tube 8 x 1	110 V AC	5894405270
	520 (0.52)	tube 6 x 1	tube 6 x 1	tube 8 x 1	220/230 V AC	5894405280
	520 (0.52)	tube 6 x 1	tube 6 x 1	tube 8 x 1	220/230 V AC***	5894405680

* Without el. connector. ** 24 V model with LED and protection wiring for reducing voltage peaks in solenoid coil (short-circuit protection).

*** 220/ 230 V AC model with LED


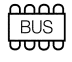

other voltages on request

Valves for valve units (inlet valve, stacking valve and end valve) on request.
Contact your nearest Bosch Rexroth office.

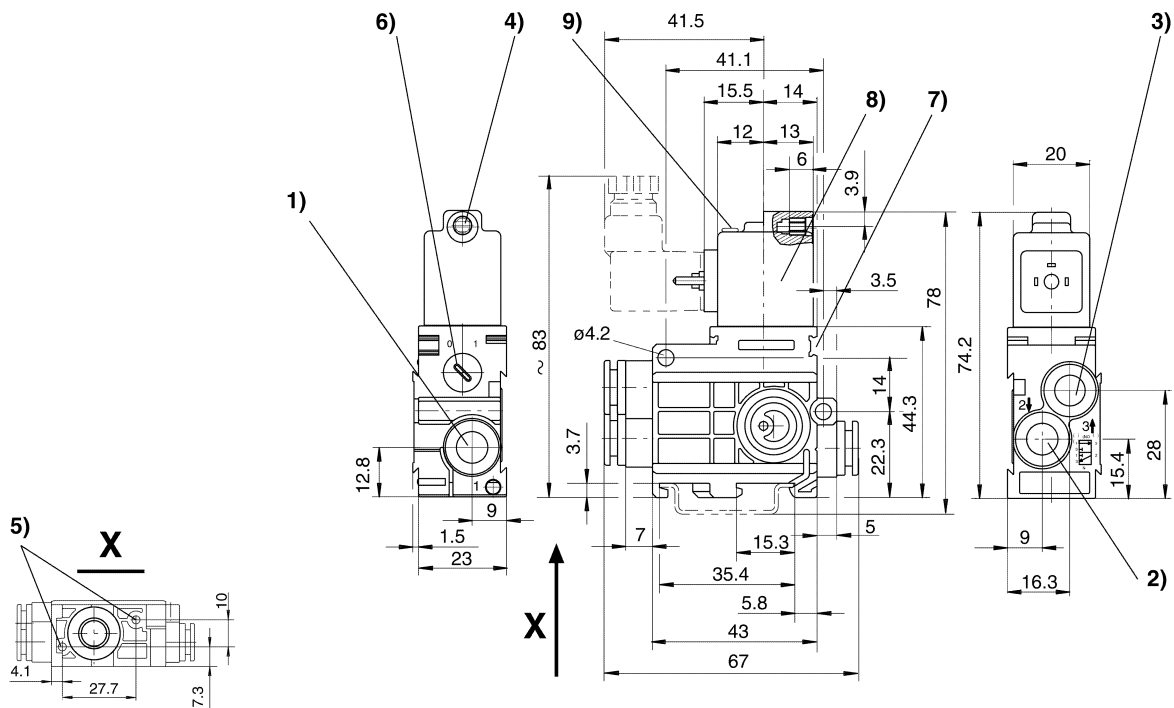
3/2 and 5/2 Valve, Series 589, ND 4, 6x1 or 8x1 mm dia.

3/2 Single valve, solenoid operated, NC, blockable

Rexroth
Bosch Group

▲ Accessories (to be ordered separately)						
Accessory	Description	Part no.				
	Silencer, M 5, for pilot exhaust	532400060				
	Silencer, push-in, for pilot exhaust	8993800114				
	Silencer	8240080000				
	Push-in throttle	3341052010				
	Set screw	8102060582	Pkg qty 50-pcs			
	Nameplates 1–10	8943056312	Pkg qty 5-pcs			
	Nameplates 11–20	8943056322	Pkg qty 5-pcs			
	Voltages	24 V AC/DC	all voltages			
	Connectors to DIN 43650, Form C with LED and 3 m cable	8941012202 8941000512	8941012202			
	Voltage	24 V DC				
	for BUS- and Multipin-systems					
	Contact bridge with 0,2 m cable	5763503113				
	Contact bridge 1 m cable	5763513113				
	other parts see chapter 12					
	Voltages	12 V DC	24 V DC	24 V AC	110 V AC	220/230 V AC
	Pilot valve with LED	5420930210	5420930220 5420940620 ¹⁾	5420935220	5420935270	5420935280 5420945680

1) and protected wiring



- 1) Port 1 2) Port 2 3) Port 3 4) Pilot exhaust core dia. for M 5 5) Pocket hole 6) deep for 3,5 self-tapping screw
6) Manual override 7) Mounting space for nameplate 8) Coil can be rotated at 180° intervals 9) LED