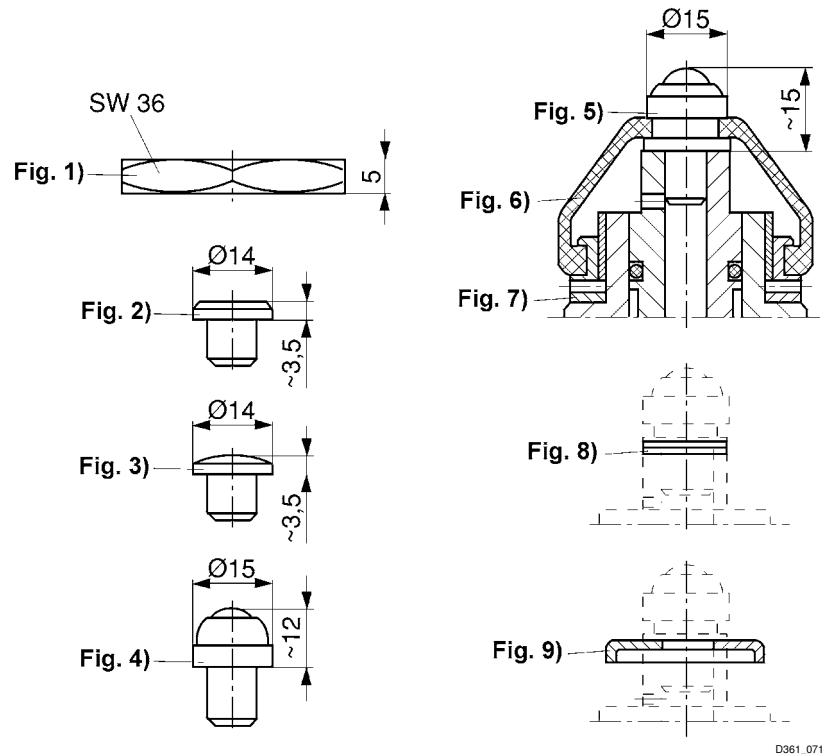


## Pressure regulators → Supplementary products

Fine setting valves  
Accessories

## Accessories, Fine setting valves



D361\_071

Part No.	Type	Fig.							
<b>8919902914</b>	Lock nut	Fig. 1							
8920306514	Pressure piece (flat)	Fig. 2							
<b>8920306504</b>	Pressure piece (spherical)	Fig. 3							
<b>8920306702</b>	Pressure piece (with ball)	Fig. 4							
<b>8920306602</b>	Pressure piece	Fig. 5							
<b>8977502904</b>	Bellows	Fig. 6							
<b>3610504304</b>	Threaded rings	Fig. 7							
8951044204	Shim 0.2 mm thick	Fig. 8							
8951004104	Shim 0.5 mm thick (for pressure pieces Fig. 2-5)	Fig. 8							
8950703004	Cover for stroke limitation (for pressure pieces Fig. 2-5)	Fig. 9							

## Supplementary products

Part numbers marked in bold are available from the central warehouse in Germany, see the shopping basket for more detailed information Pneumatics catalog, online PDF, as of 2013-06-23, © Bosch Rexroth Pneumatics GmbH, subject to change