

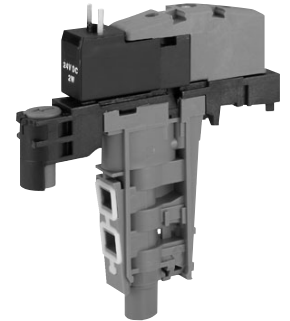
5/2 and 5/3 Valves, Series VS15, push-in Ø 6x1, 8x1 or 5/16 and 1/4 inch tubing

5/2, solenoid operated, single solenoid, plug in method

Rexroth
Bosch Group

Technical Data

Type	Spool valve	
Working pressure range	2,5 to 8 bar (36 to 116 psi) (for internal piloting) -0,9 to 8 bar (-13 to 116 psi) (for external piloting)	
Nominal flow rate Qn at 6 bar (87 psi), Δp = 1 bar (15 psi)	750 l/min (0.75 Cv)	
Ambient temperature range	-10 °C to +40 °C (+14 °F to +104 °F)	
Medium	Compressed air, non-lubricated and lubricated	
Weight	0,085 kg (0.187 lbs)	
Materials	Body	POM (Polyoxymethylene)
	Seals	Polyurethan for dynamic sealing Perbunan and Silikon for static sealing
	Metal parts	Nickel plated steel (except coil contacts/threads)
Operating voltages	see table	
Power consumption	see table	
Insulation class	F to VDE 0580	
Protection with el. connector	IP 65 to IEC 529 (DIN VDE 0470)	
Duty cycle ED	100%	
*) Compressed air, lubricated according to IS 8573-1, category 1		



Application area

Suitable for all applications. The valve is non-overlapping. Clip-on connections permit easy and fast mounting.
Corrosion resistant, low weight, extremely short response times.

Part no.

	Voltage and frequency	Power consumption	Response times t _F fill	Response times t _E exhaust	Piloting	Part no.
	24 V DC	2 W	11 ms	17 ms	internal	5762010220
	230 V AC	1 VA	11 ms	17 ms	internal	5762015280
	110 V AC	1 VA	11 ms	17 ms	internal	5762015270
	24 V DC	2 W	11 ms	17 ms	external	5762100220
	230 V AC	1 VA	11 ms	17 ms	external	5762105280
	110 V AC	1 VA	11 ms	17 ms	external	5762105270

Accessories (to be ordered separately)

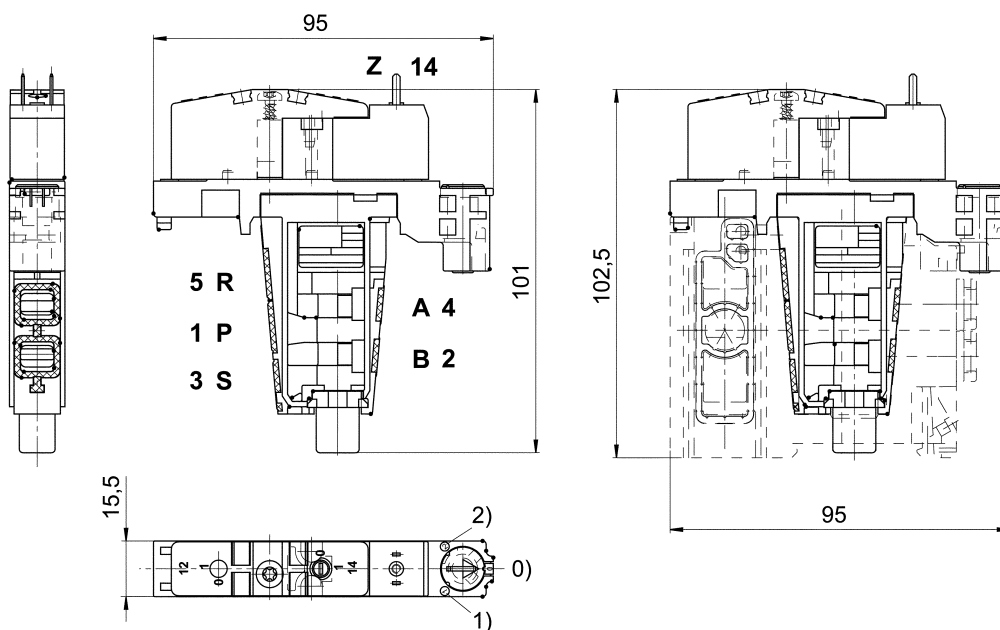
Accessory	Type	Part no.
	Connectors According DIN 43560, form C	8941012202
	With LED and 3 m cable	8941000512
	Entry plate (closed on the right side) Ø 12x1,5	8985003622
	Entry plate (closed on the right side) Ø1/2 inch	8985003762
	Entry plate (open on both sides) Ø 12x1,5	8985003602
	Entry plate (open on both sides) 1/2 inch	8985003782
	Sandwich plate Ø 8x1	8985003612
	Sandwich plate Ø 6x1	8985003642
	Sandwich plate, 1/4 inch	8985003742
	End plate Ø 8x1	8985003632
End plate Ø 6x1	8985003652	
End plate, 1/4 inch	8985003752	
	Spare parts (valve)	please use a complete valve
	Spare parts kit (2 valve- and 1 base plate sealing and 20 g grease)	5762010002

5/2 and 5/3 Valves, Series VS15, push-in

Ø 6x1, 8x1 or 5/16 and 1/4 inch tubing

5/2, solenoid operated, single solenoid, plug in method

Rexroth
Bosch Group



locking system : 0 : to put in the valve 1 : to lock the valve 2 : to remove the valve
Use screwdriver for locking and unlocking the valve.