

# Introducing the *Combi* from Bosch Rexroth

Unique **All-in-One** FRL replaces the traditional separate FRL  
The choice for applications that require a basic FRL unit or where  
space is a premium.



## Features:

- 3-in-One Space Saver Single Unit
- Minimum stock for wide range of port sizes and functions
- Easy to order. One part number includes FRL, Mounting Bracket, and Gauge (0-230 psi)
- Filter w/40 micron sintered bronze filtration
- Adjustable Regulator w/Locking Regulator Knob
- Adjustable Lubricator
- Semi-automatic Drain
- Bowl Guard
- Maximum inlet: 230 psi
- Outlet: 7 to 145 psi
- Easy Maintenance

Service Kit 1/4" & 3/8" Pipe Size

Part no. 1827009366

Service Kit 1/2" & 3/4" Pipe Size

Part no. 1827009367

Bosch Rexroth Part No.	Description
0821300054	Combi w/ 1/4" NPTF Ports
0821300055	Combi w / 3/8" NPTF Ports
0821300064	Combi w /1/2" NPTF Ports
0821300065	Combi w / 3/4" NPTF Ports
0821300050	Combi w /1/4" BSPP Ports
0821300052	Combi w / 3/8" BSPP Ports
0821300060	Combi w /1/2" BSPP Ports
0821300062	Combi w /3/4" BSPP Ports

**GoTo** Products are  
highlighted in yellow.

## Local Distributor:

### Bosch Rexroth Corporation

#### Pneumatics

1953 Mercer Rd.

Lexington, KY 40511

www.boschrexroth-us.com

Email: pneumatics@boschrexroth-us.com

## Filter, Regulator & Lubricators

### COMBI

1/4 - 3/4

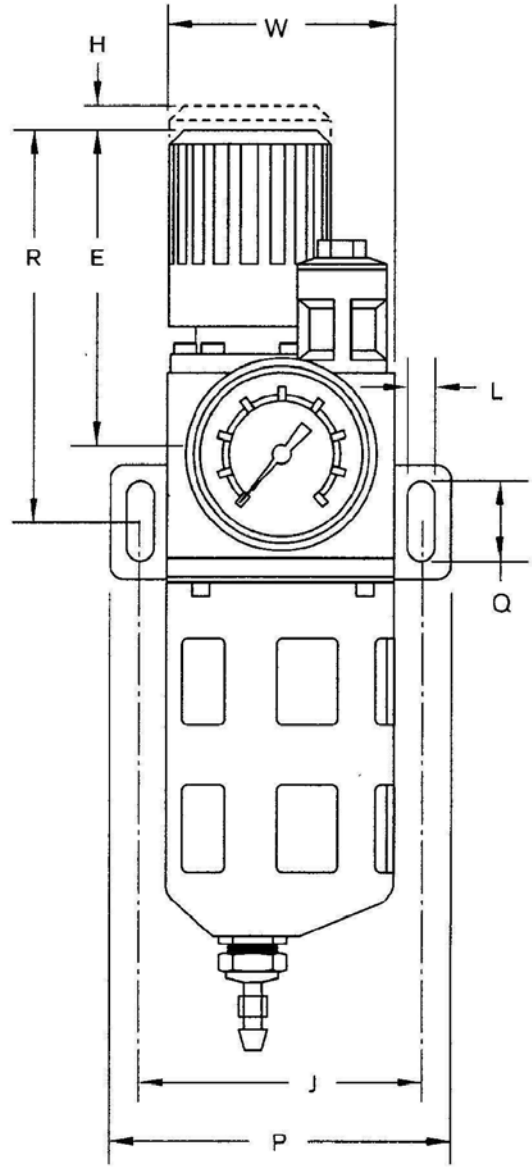
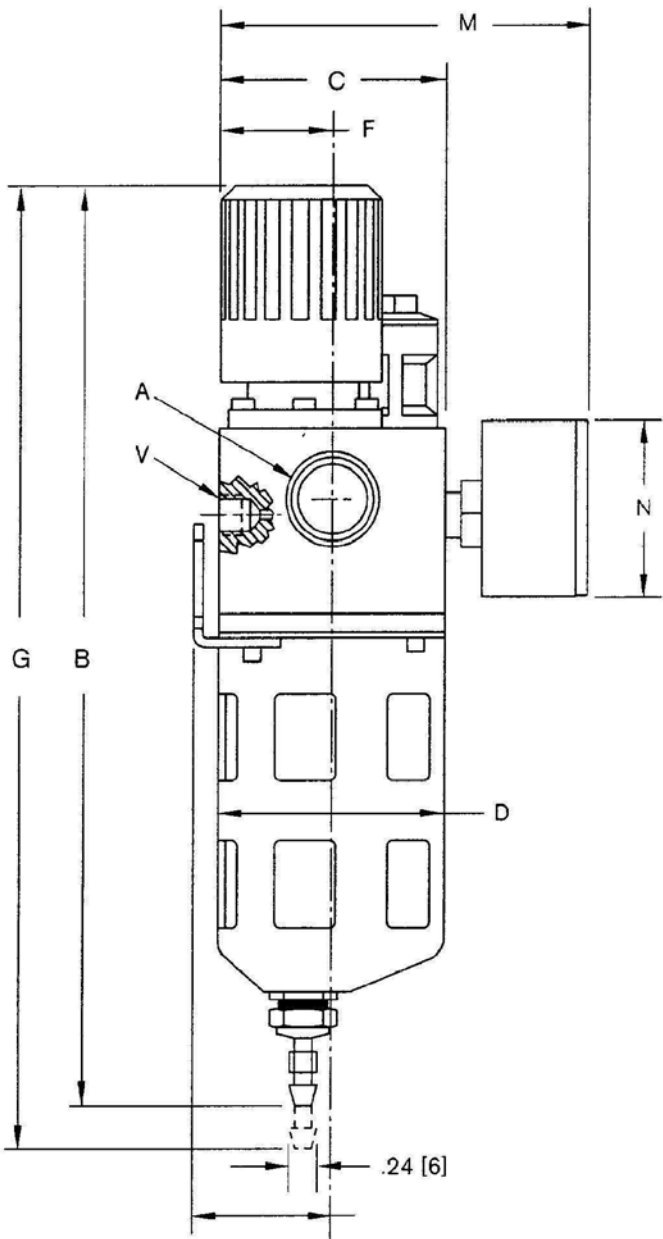
NPTF or BSPP ports



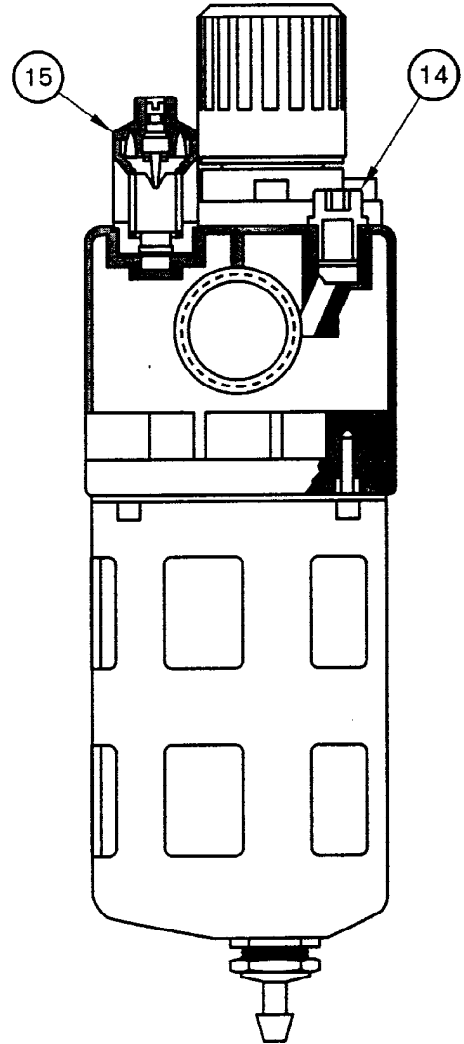
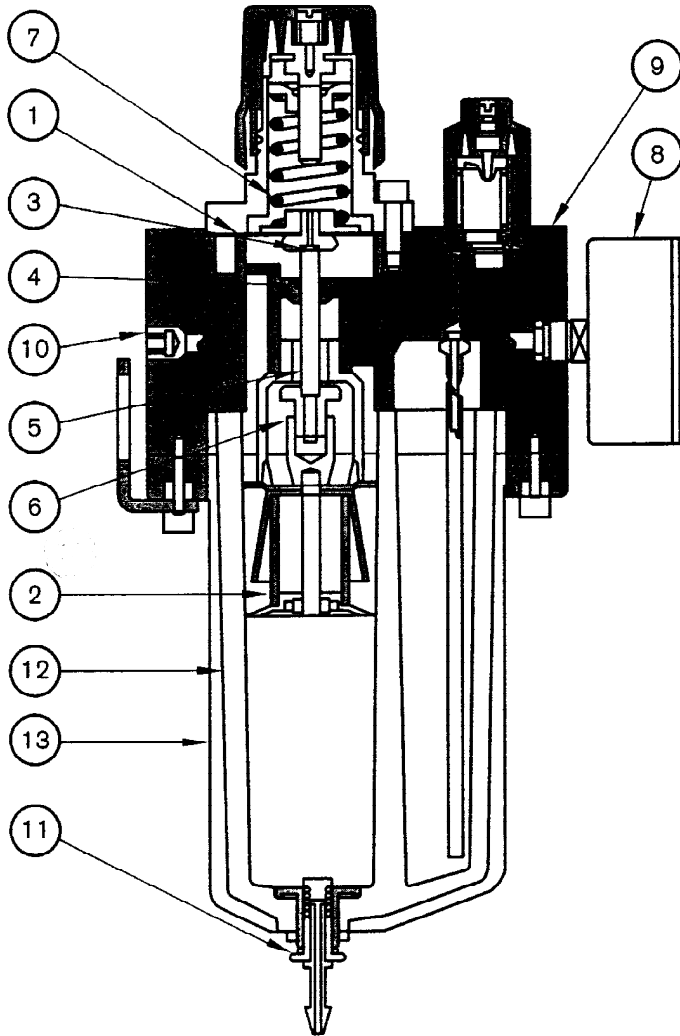
Specifications	Size A	Size B
Port Size	1/4" & 3/8" NPTF, G 1/4-G 3/8	1/2" & 3/4" NPTF, G1/2-G 3/4
Mounting methods	Mounting bracket	Mounting bracket
Mounting position	Vertical	Vertical
Operating temperature range	32° to 120°F (0° to 50°C)	32° to 120°F (0° to 50°C)
Effective reservoir capacity	Condensate - 0.85 oz. (25 <sup>3</sup> )cm Lubricant - 2.54 oz. (75 <sup>3</sup> )cm	Condensate - 2.54 oz. (75 <sup>3</sup> )cm Lubricant - 5.07 oz. (150 <sup>3</sup> )cm
Recommended oil	ISO VG 32 or DIN 51524	ISO VG 32 or DIN 51524
Filter element	40 microns	40 microns
Weight	3.1 lbs (1.4 kg)	7.1 lbs (3.2 kg)
Maximum supply pressure	230 psi (16 bar)	230 psi (16 bar)
Operating pressure range	7.3 to 145 psi (0.5 to 10 bar)	7.3 to 145 psi (0.5 to 10 bar)
Nominal flow rate	35 scfm (1000 l/min)	105 scfm (3000 l/min)
Semi-automatic drain	Opens - approx. 4.4 psi (0.3 bar) Closes - approx. 12 psi (0.8 bar)	Opens - approx. 4.4 psi (0.3 bar) Closes - approx. 12 psi (0.8 bar)
Body	Die-cast aluminum	Die-cast aluminum
Bowl	Polycarbonate	Polycarbonate
All seals	NBR	NBR
Diaphragm	NBR	NBR
Filter element	Sintered bronze	Sintered bronze
Sight glass	Polycarbonate	Polycarbonate
Knob	Glass filled nylon	Glass filled nylon
Valve spring	Stainless steel	Stainless steel
Panel mount nut	Nylon	Nylon
Stems	Main & pilot - brass	Main & pilot - brass
Mounting bracket	Zinc plated steel	Zinc plated steel
Assembly bolts	Chromated steel	Chromated steel

### Ordering Information

Description	Port	Connection	Micron Rating	Operating Range	Part number
COMBI	NPTF	1/4	40m	7.3 - 145 psi (0.5 - 10 bar)	0 821 300 054
	NPTF	3/8	40m	7.3 - 145 psi (0.5 - 10 bar)	0 821 300 055
	NPTF	1/2	40m	7.3 - 145 psi (0.5 - 10 bar)	0 821 300 064
	NPTF	3/4	40m	7.3 - 145 psi (0.5 - 10 bar)	0 821 300 065
	BSPP	1/4	40m	7.3 - 145 psi (0.5 - 10 bar)	0 821 300 050
	BSPP	3/8	40m	7.3 - 145 psi (0.5 - 10 bar)	0 821 300 052
	BSPP	1/2	40m	7.3 - 145 psi (0.5 - 10 bar)	0 821 300 060
	BSPP	3/4	40m	7.3 - 145 psi (0.5 - 10 bar)	0 821 300 062



A	B	C	D	E	F	G	H	J	K	L	M	N	P	Q	R	V	W
1/4"	9.45 (240)	2.72 (69)	2.44 (62)	3.54 (90)	1.36 (34.5)	10.23 (260)	0.16 (4)	3.23 (82)	1.57 (40)	0.25 (6.5)	4.13 (105)	1.97 (50)	3.78 (96)	0.98 (25)	4.21 (107)	1/4 BSP	2.60 (66)
3/8"	9.45 (240)	2.72 (69)	2.44 (62)	3.54 (90)	1.36 (34.5)	10.23 (260)	0.16 (4)	3.23 (82)	1.57 (40)	0.25 (6.5)	4.13 (105)	1.97 (50)	3.78 (96)	0.98 (25)	4.21 (107)	1/4 BSP	2.60 (66)
1/2"	12.20 (310)	3.78 (96)	3.39 (86)	4.13 (105)	1.89 (48)	13.38 (340)	0.16 (4)	4.41 (112)	2.36 (60)	0.35 (9)	5.20 (132)	1.97 (50)	5.12 (130)	1.30 (33)	5.20 (132)	1/4 BSP	3.66 (93)
3/4"	12.20 (310)	3.78 (96)	3.39 (86)	4.13 (105)	1.89 (48)	13.38 (340)	0.16 (4)	4.41 (112)	2.36 (60)	0.35 (9)	5.20 (132)	1.97 (50)	5.12 (130)	1.30 (33)	5.20 (132)	1/4 BSP	3.66 (93)



Item No.	Description	[ NPTF/BSPP ] 1/4" - 3/8" Part Number	[ NPTF/BSPP ] 1/2" & 3/4" Part Number
-	Regulator service kit, includes diaphragm assembly (item 1), O-rings (items 3 & 4), valve seat and stem assembly (item 5) and valve spring (item 6)	1 827 009 366	1 827 009 367
2	Filter element 40 $\mu$	1 827 009 363	1 827 009 364
7	Spring, regulator adjustment, 7.3 - 30 psi (0.5 - 2 bar)	1 827 009 405	1 827 009 408
7	Spring, regulator adjustment, 7.3 - 75 psi (0.5 - 5 bar)	1 827 009 406	1 827 009 409
7	Spring, regulator adjustment, 7.3 - 1 45 psi (0.5 - 10 bar)	1 827 009 368	1 827 009 369
8	Gauge, 2" dia. (50 mm), 0 - 40 psi (0 - 2.7 bar)	1 827 231 012	1 827 231 012
8	Gauge, 2" dia. (50 mm), 0 - 90 psi (0 - 6 bar)	1 827 231 016	1 827 231 016
8	Gauge, 2" dia. (50 mm), 0 - 230 psi (0 - 15 bar)	1 827 231 010	1 827 231 010
9	Seal ring, copper	1 829 202 004	1 829 202 004
10	Plug, gauge port	1 823 462 003	1 823 462 003
11	Drain assembly, semi automatic	1 827 419 004	1 827 419 004
12	Polycarbonate bowl, includes O-rings	1 820 510 005	1 820 510 006
12	Metal bowl, includes O-rings	1 827 009 540	1 827 009 541
13	Bowl guard, metal	1 820 507 002	1 820 507 003
14	Fill plug, lubricator, including O-ring	1 827 009 371	1 827 009 371
15	Sight dome and metering screw assembly	1 827 009 412	1 827 009 412