

Preparation of compressed air → Maintenance units and components

Precision pressure regulator, Series AS2-RGP

► G 1/4 - G 3/8 ► Qn=2200 - 2700 l/min ► Activation: mechanical ► lockable ► For padlocks ► suitable for ATEX



ATEX	II 2G2D T4 X
Mounting orientation	Any
Working pressure min./max.	See table below
Medium	Compressed air
Medium temperature min./max.	-10 °C / +50 °C
Ambient temperature min./max.	-10 °C / +50 °C
Regulator type	Diaphragm-type pressure regulator, Can be assembled into blocks with relieving air exhaust
Regulator function	See table below
Adjustment range min./max.	single
Pressure supply	2.6 l/min
Max. Internal air consumption	
Materials:	
Housing	Polyamide
Front plate	Acrylonitrile butadiene styrene
Seals	Acrylonitrile Butadiene Rubber

Technical Remarks

- The pressure dew point must be at least 15 °C under ambient and medium temperature and may not exceed 3 °C.
- Recommended pre-filter: 5 µm

	Port	Qn	Working pressure	Adjustment range	Weight	Part No.
			min./max.	min. - max..		
		[l/min]	[bar]	[bar]	[kg]	
	G 1/4	2200	0.1 / 16	0.1 - 1	0.32	R412006137
	G 1/4	2200	0.1 / 16	0.1 - 2		R412006139
	G 1/4	2200	0.2 / 16	0.2 - 4		R412006141
	G 1/4	2200	0.5 / 16	0.5 - 8		R412006143
	G 1/4	2200	0.5 / 16	0.5 - 10		R412006145
	G 3/8	2700	0.1 / 16	0.1 - 1		R412006149
	G 3/8	2700	0.1 / 16	0.1 - 2		R412006151
	G 3/8	2700	0.2 / 16	0.2 - 4		R412006153
	G 3/8	2700	0.5 / 16	0.5 - 8		R412006155
	G 3/8	2700	0.5 / 16	0.5 - 10		R412006157
	G 1/4	2200	0.1 / 16	0.1 - 1	0.248	R412006136
	G 1/4	2200	0.1 / 16	0.1 - 2		R412006138
	G 1/4	2200	0.2 / 16	0.2 - 4		R412006140
	G 1/4	2200	0.5 / 16	0.5 - 8		R412006142
	G 1/4	2200	0.5 / 16	0.5 - 10		R412006144
	G 3/8	2700	0.1 / 16	0.1 - 1		R412006148
	G 3/8	2700	0.1 / 16	0.1 - 2		R412006150
	G 3/8	2700	0.2 / 16	0.2 - 4		R412006152
	G 3/8	2700	0.5 / 16	0.5 - 8		R412006154
G 3/8	2700	0.5 / 16	0.5 - 10	R412006156		

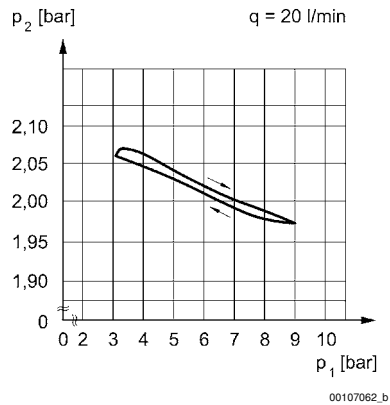
Nominal flow Qn at p1 = 6.3 bar and Δp = 1 bar

Preparation of compressed air → Maintenance units and components

Precision pressure regulator, Series AS2-RGP

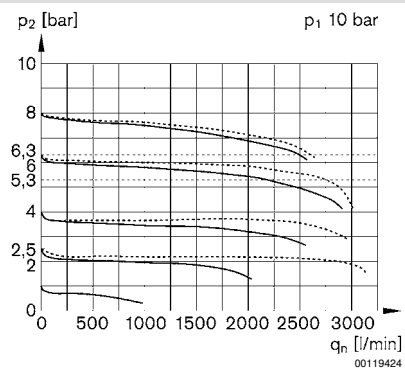
► G 1/4 - G 3/8 ► $Q_n=2200 - 2700$ l/min ► Activation: mechanical ► lockable ► For padlocks ► suitable for ATEX

Pressure characteristics curve



p_1 = Working pressure
 p_2 = Secondary pressure
 q_n = Nominal flow

Flow rate characteristic (p_2 : 0,5 - 8 bar)



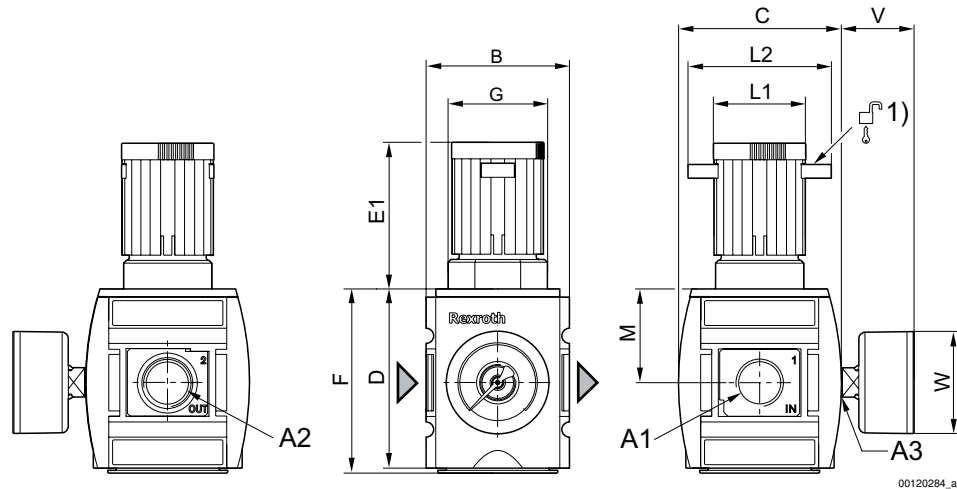
p_1 = Working pressure
 p_2 = Secondary pressure
 q_n = Nominal flow

Preparation of compressed air → Maintenance units and components

Precision pressure regulator, Series AS2-RGP

► G 1/4 - G 3/8 ► Qn=2200 - 2700 l/min ► Activation: mechanical ► lockable ► For padlocks ► suitable for ATEX

Dimensions



- A1 = input
- A2 = output
- A3 = pressure gauge connection
- 1) Mounting option for padlocks; max. shackle Ø 8

A1	A2	A3	B	C	D	E1	F	G	L1	L2	M	V
G 1/4	G 1/4	G 1/4	52	59	65	57.9	66.8	M36x1,5	34	54	34	37
G 3/8	G 3/8	G 1/4	52	59	65	57.9	66.8	M36x1,5	34	54	34	37

A1	W											
G 1/4	50											
G 3/8	50											