

Preparation of compressed air → Maintenance units and components

Precision pressure regulator, Series AS2-RGP-...-DS

- ▶ G 1/4 - G 3/8 ▶ Qn=2200 - 2700 l/min ▶ Activation: mechanical ▶ with continuous pressure supply ▶ lockable ▶ suitable for ATEX



00119367

ATEX	II 2G2D T4 X
Mounting orientation	Any
Working pressure min./max.	See table below
Medium	Compressed air
Medium temperature min./max.	-10 °C / +50 °C
Ambient temperature min./max.	-10 °C / +50 °C
Regulator type	Diaphragm-type pressure regulator, Can be assembled into blocks with relieving air exhaust
Regulator function	See table below
Adjustment range min./max.	double
Pressure supply	2.6 l/min
Max. Internal air consumption	
Materials:	
Housing	Polyamide
Front plate	Acrylonitrile butadiene styrene
Seals	Acrylonitrile Butadiene Rubber

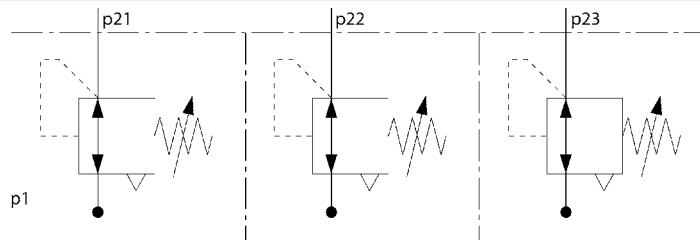
Technical Remarks

- The pressure dew point must be at least 15 °C under ambient and medium temperature and may not exceed 3 °C.
- Recommended pre-filter: 5 μm

	Port	Qn	Working pressure	Adjustment range	Weight	Part No.
			min./max.	min. - max..		
		[l/min]	[bar]	[bar]	[kg]	
	G 1/4	2200	0.1 / 16	0.1 - 1	0.248	R412006160
	G 1/4	2200	0.1 / 16	0.1 - 2		R412006161
	G 1/4	2200	0.2 / 16	0.2 - 4		R412006162
	G 1/4	2200	0.5 / 16	0.5 - 8		R412006163
	G 1/4	2200	0.5 / 16	0.5 - 10		R412006164
	G 3/8	2700	0.1 / 16	0.1 - 1		R412006166
	G 3/8	2700	0.1 / 16	0.1 - 2		R412006167
	G 3/8	2700	0.2 / 16	0.2 - 4		R412006168
	G 3/8	2700	0.5 / 16	0.5 - 8		R412006169
	G 3/8	2700	0.5 / 16	0.5 - 10		R412006170

Max. pressure gauge Ø in blocked state [mm]: 50
 Nominal flow Qn at p1 = 6.3 bar and Δp = 1 bar

Application example



00108090

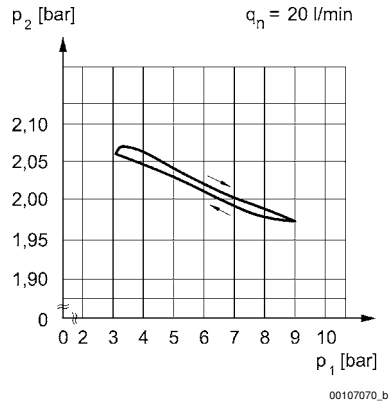
p1 = working pressure
 p21; p22; p23 = secondary pressure

Preparation of compressed air → Maintenance units and components

Precision pressure regulator, Series AS2-RGP-...-DS

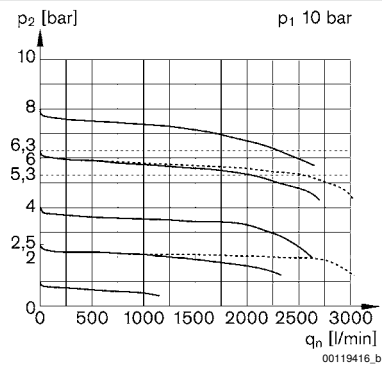
- ▶ G 1/4 - G 3/8 ▶ $Q_n=2200 - 2700$ l/min ▶ Activation: mechanical ▶ with continuous pressure supply ▶ lockable
- ▶ suitable for ATEX

Pressure characteristics curve



p_1 = Working pressure
 p_2 = Secondary pressure
 q_n = Nominal flow

Flow rate characteristic (p_2 : 0,5 - 8 bar)

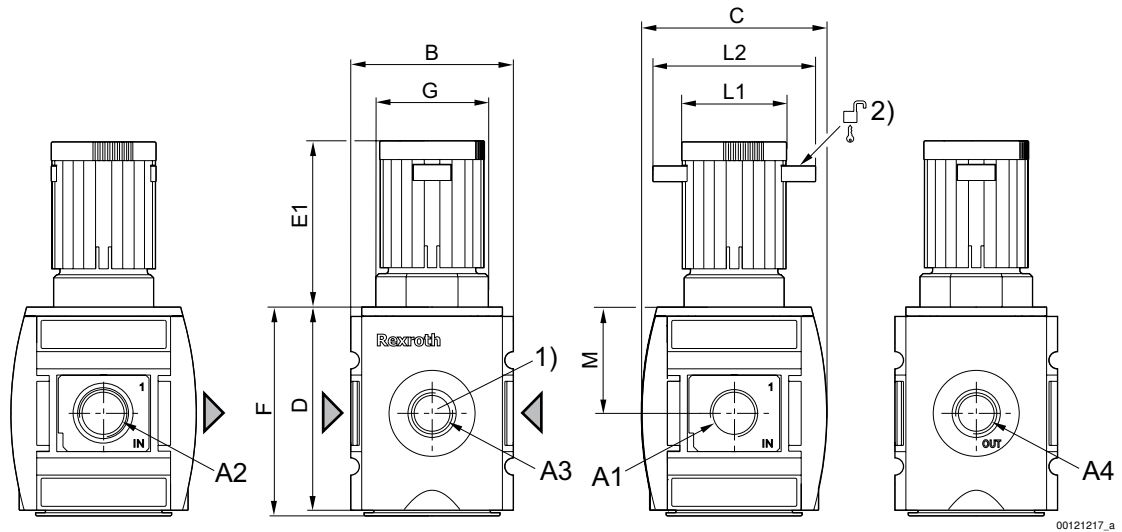


p_1 = Working pressure
 p_2 = Secondary pressure
 q_n = Nominal flow

Preparation of compressed air → Maintenance units and components

Precision pressure regulator, Series AS2-RGP-...-DS

- G 1/4 - G 3/8 ► Qn=2200 - 2700 l/min ► Activation: mechanical ► with continuous pressure supply ► lockable
 ► suitable for ATEX

Dimensions

1) Pressure gauge connection

2) Mounting option for padlocks; max. shackle \varnothing 8

A1	A2	A3	A4	B	C	D	E1	F	G	L1	L2	M
G 1/4	G 1/4	G 1/4	G 1/4	52	59	65	57.9	66.8	M36x1,5	34	54	34
G 3/8	G 3/8	G 1/4	G 1/4	52	59	65	57.9	66.8	M36x1,5	34	54	34