

## Preparation of compressed air → Maintenance units and components

**Distributor, Series AS2-DIS**

► G 1/4 - G 3/8 ► Distributor 3x ► Distributor ► suitable for ATEX



00119389

ATEX  
Version  
Mounting orientation  
Working pressure min./max.  
Medium  
Medium temperature min./max.  
Ambient temperature min./max.

II 2G2D T4 X  
Distributor, Can be assembled into blocks  
Any  
0 bar / 16 bar  
Compressed air  
-10 °C / +50 °C  
-10 °C / +50 °C

Materials:  
Housing  
Front plate  
Seals  
Threaded bushing

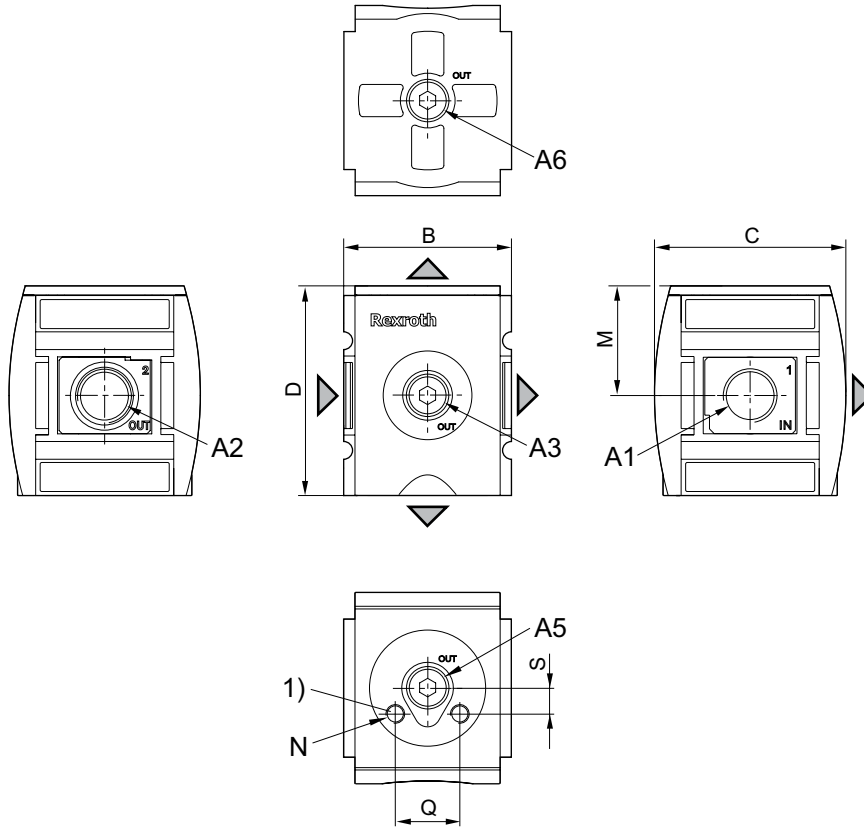
Polyamide  
Acrylonitrile butadiene styrene  
Acrylonitrile Butadiene Rubber  
Die cast zinc

**Technical Remarks**

- Suitable for direct mounting of a PE1 and PM1 series pressure sensor (flange version)

	Port	Qn				Weight	Part No.
		1 ► 2	1 ► 3	1 ► 4	1 ► 5		
		[l/min]				[kg]	
	G 1/4	2700	2000	900	2000	0.25	<b>R412006250</b>
	G 3/8	3600	2000	900	2000		<b>R412006251</b>

Nominal flow Qn at p1 = 6.3 bar and Δp = 1 bar

**Preparation of compressed air → Maintenance units and components**
**Distributor, Series AS2-DIS**
**► G 1/4 - G 3/8 ► Distributor 3x ► Distributor ► suitable for ATEX**
**Dimensions**


00121220

A1 = input

A2 = output

1) Mounting thread for pressure sensor

A1	A2	A3	A4	A5	B	C	D	M	N	Q	S		
G 1/4	G 1/4	G 1/4	G 1/4	G 1/4	52	59	65	34	M5	20	8		
G 3/8	G 3/8	G 1/4	G 1/4	G 1/4	52	59	65	34	M5	20	8		