

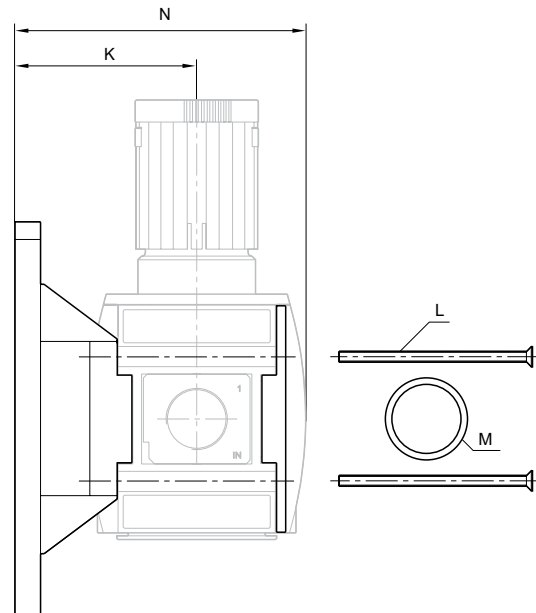
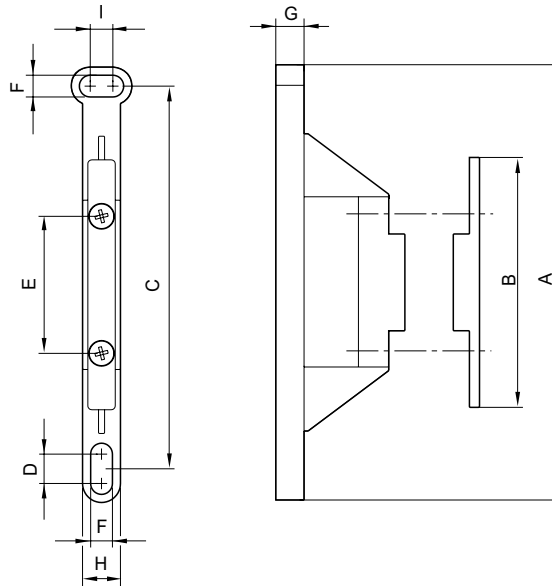
Preparation of compressed air → Maintenance units and components

**Series AS2**  
Accessories

**Mounting clip, Series AS2-MBR-...-W03**



00119388



00127750

Part No.	A	B	C	D	E	F	G	H	I	K	L	M
<b>R412006370</b>	108	62	95	7.3	34	5.4	7	9.4	5.6	49.4	M3x53	19x1,8

Part No.	N	Material	Material Seal	Weight [kg]					
<b>R412006370</b>	78.9	Polyamide	Acrylonitrile Butadiene Rubber	0.015					

Scope of delivery incl. 2 mounting screws M3x53-4.8-A2R according to EN ISO 7046-1 (countersunk screw with type H X-slot), 1x O-ring