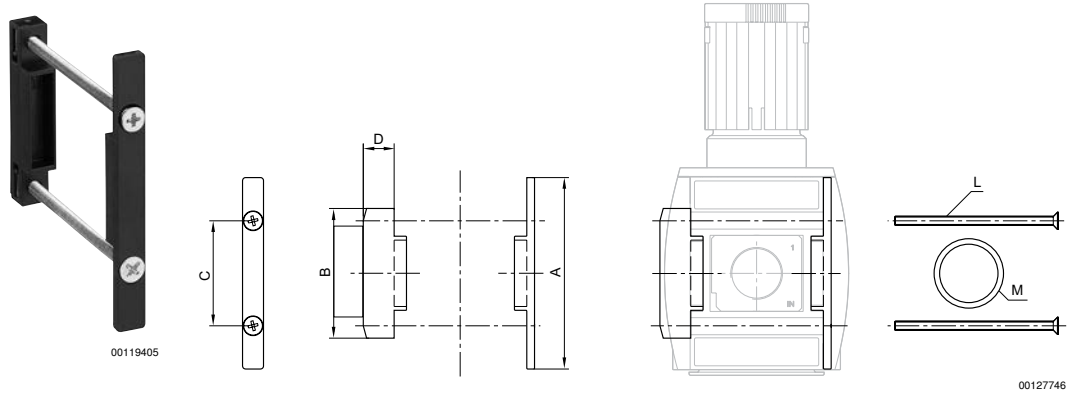


Preparation of compressed air → Maintenance units and components

**Series AS2**  
Accessories

**Block assembly kit, Series AS2-MBR-...-W04**



Part No.	A	B	C	D	L	M	Material	Material Seal
<b>R412006371</b>	62	42	34	6	M3x53	19x1,8	Polyamide	Acrylonitrile Butadiene Rubber

Part No.	Weight [kg]										
<b>R412006371</b>	0.01										

Scope of delivery incl. 2 mounting screws M3x53-4.8-A2R according to EN ISO 7046-1 (countersunk screw with type H X-slot), 1x O-ring