

Preparation of compressed air → Maintenance units and components

Precision pressure regulator, Series AS3-RGP

► G 3/8 - G 1/2 ► Qn=1600 - 5200 l/min ► Activation: mechanical ► lockable ► For padlocks ► suitable for ATEX



ATEX	II 2G2D T4 X
Mounting orientation	Any
Working pressure min./max.	See table below
Medium	Compressed air
Medium temperature min./max.	-10 °C / +50 °C
Ambient temperature min./max.	-10 °C / +50 °C
Regulator type	Diaphragm-type pressure regulator, Can be assembled into blocks with relieving air exhaust
Regulator function	See table below
Adjustment range min./max.	single
Pressure supply	2.6 l/min
Max. Internal air consumption	
Materials:	
Housing	Polyamide
Front plate	Acrylonitrile butadiene styrene
Seals	Acrylonitrile Butadiene Rubber

Technical Remarks

- The pressure dew point must be at least 15 °C under ambient and medium temperature and may not exceed 3 °C.
- Recommended pre-filter: 5 µm

	Port	Qn	Working pressure min./max.	Adjustment range min. - max..	Weight	Part No.
	G 3/8	1600	0.1 / 16	0.1 - 1	0.6	R412007137
	G 3/8	4600	0.1 / 16	0.1 - 2		R412007139
	G 3/8	5000	0.2 / 16	0.2 - 4		R412007141
	G 3/8	4300	0.5 / 16	0.5 - 8		R412007143
	G 3/8	4300	0.5 / 16	0.5 - 10		R412007145
	G 1/2	1600	0.1 / 16	0.1 - 1		R412007149
	G 1/2	4600	0.1 / 16	0.1 - 2		R412007151
	G 1/2	5000	0.2 / 16	0.2 - 4		R412007153
	G 1/2	5200	0.5 / 16	0.5 - 8		R412007155
	G 1/2	5200	0.5 / 16	0.5 - 10		R412007157
	G 3/8	1600	0.1 / 16	0.1 - 1	0.528	R412007136
	G 3/8	4600	0.1 / 16	0.1 - 2		R412007138
	G 3/8	5000	0.2 / 16	0.2 - 4		R412007140
	G 3/8	4300	0.5 / 16	0.5 - 8		R412007142
	G 3/8	4300	0.5 / 16	0.5 - 10		R412007144
	G 1/2	1600	0.1 / 16	0.1 - 1		R412007148
	G 1/2	4600	0.1 / 16	0.1 - 2		R412007150
	G 1/2	5000	0.2 / 16	0.2 - 4		R412007152
	G 1/2	5200	0.5 / 16	0.5 - 8		R412007154
	G 1/2	5200	0.5 / 16	0.5 - 10		R412007156

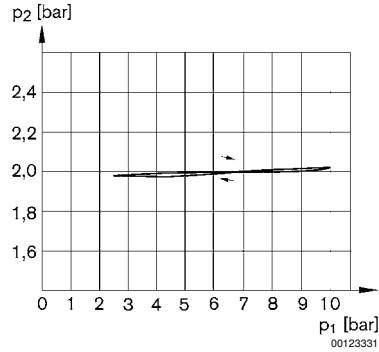
Nominal flow Qn at p1 = 6.3 bar and Δp = 1 bar

Preparation of compressed air → Maintenance units and components

Precision pressure regulator, Series AS3-RGP

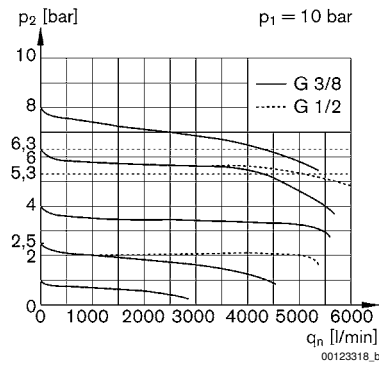
► G 3/8 - G 1/2 ► Qn=1600 - 5200 l/min ► Activation: mechanical ► lockable ► For padlocks ► suitable for ATEX

Pressure characteristics curve



p1 = working pressure
p2 = secondary pressure

Flow rate characteristic (p2: 0,5 - 8 bar)



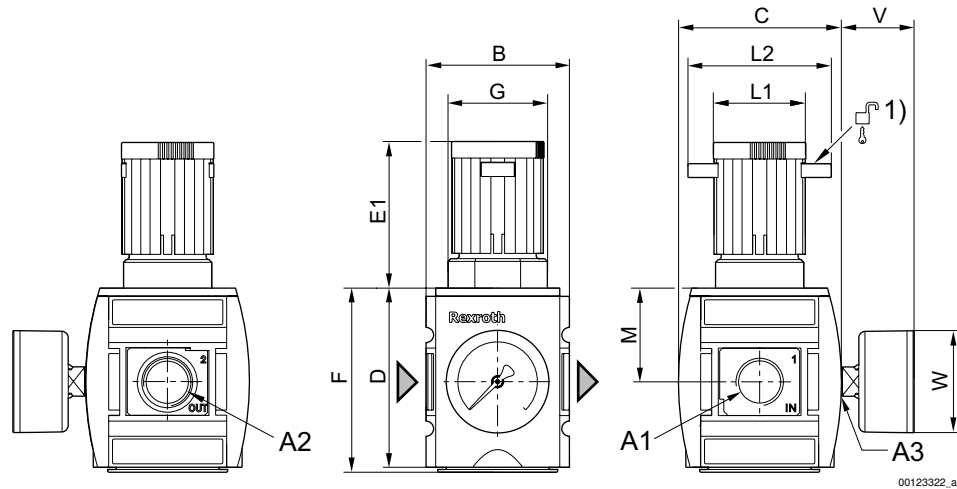
p1 = Working pressure
p2 = Secondary pressure
qn = Nominal flow

Preparation of compressed air → Maintenance units and components

Precision pressure regulator, Series AS3-RGP

► G 3/8 - G 1/2 ► Qn=1600 - 5200 l/min ► Activation: mechanical ► lockable ► For padlocks ► suitable for ATEX

Dimensions



- A1 = input
- A2 = output
- A3 = pressure gauge connection
- 1) Mounting option for padlocks; max. shackle Ø 8

A1	A2	A3	B	C	D	E1	F	G	L1	L2	M	V
G 3/8	G 3/8	G 1/4	63	74	80	63.5	82	M42x1,5	41	60	42.5	33
G 1/2	G 1/2	G 1/4	63	74	80	63.5	82	M42x1,5	41	60	42.5	33
A1	W											
G 3/8	50											
G 1/2	50											