

Preparation of compressed air → Maintenance units and components

Distributor, Series AS3-DIN

► G 3/8 - G 1/2 ► Distributor 4x ► Non-return valve ► suitable for ATEX



00119389

ATEX
Version

Mounting orientation
Working pressure min./max.
Medium
Medium temperature min./max.
Ambient temperature min./max.

Materials:
Housing
Front plate
Seals
Threaded bushing

II 2G2D T4 X
Non-return valve, Can be assembled into blocks
Any
0.4 bar / 16 bar
Compressed air
-10°C / +50°C
-10°C / +50°C

Polyamide
Acrylonitrile butadiene styrene
Acrylonitrile Butadiene Rubber
Die cast zinc

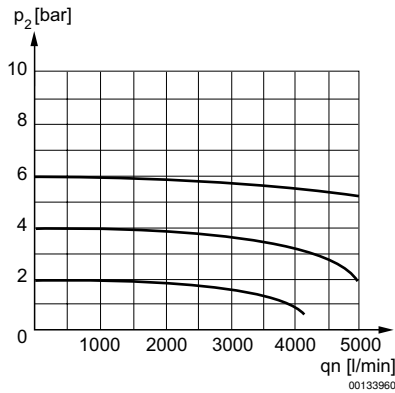
Technical Remarks

- 4 auxiliary air exits upstream of non-return valve.

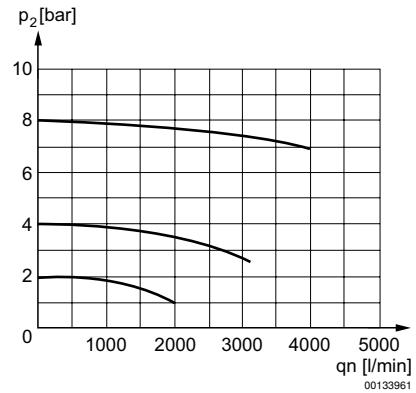
	Port	Qn					Weight	Part No.
		1►2	1►3	1►4	1►5	1►6		
		[l/min]					[kg]	
	G 3/8							R412007254
	G 1/2	5100	3300	2250	2250	2250	0.32	R412007255

Nominal flow Qn at p1 = 6.3 bar and Δp = 1 bar

Flow rate characteristic



Nominal flow 1 -> 2
p2 = secondary pressure
qn = nominal flow



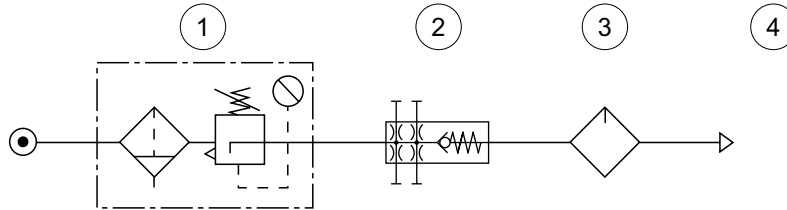
Nominal flow 1 -> 3
p2 = secondary pressure
qn = nominal flow

Preparation of compressed air → Maintenance units and components

Distributor, Series AS3-DIN

► G 3/8 - G 1/2 ► Distributor 4x ► Non-return valve ► suitable for ATEX

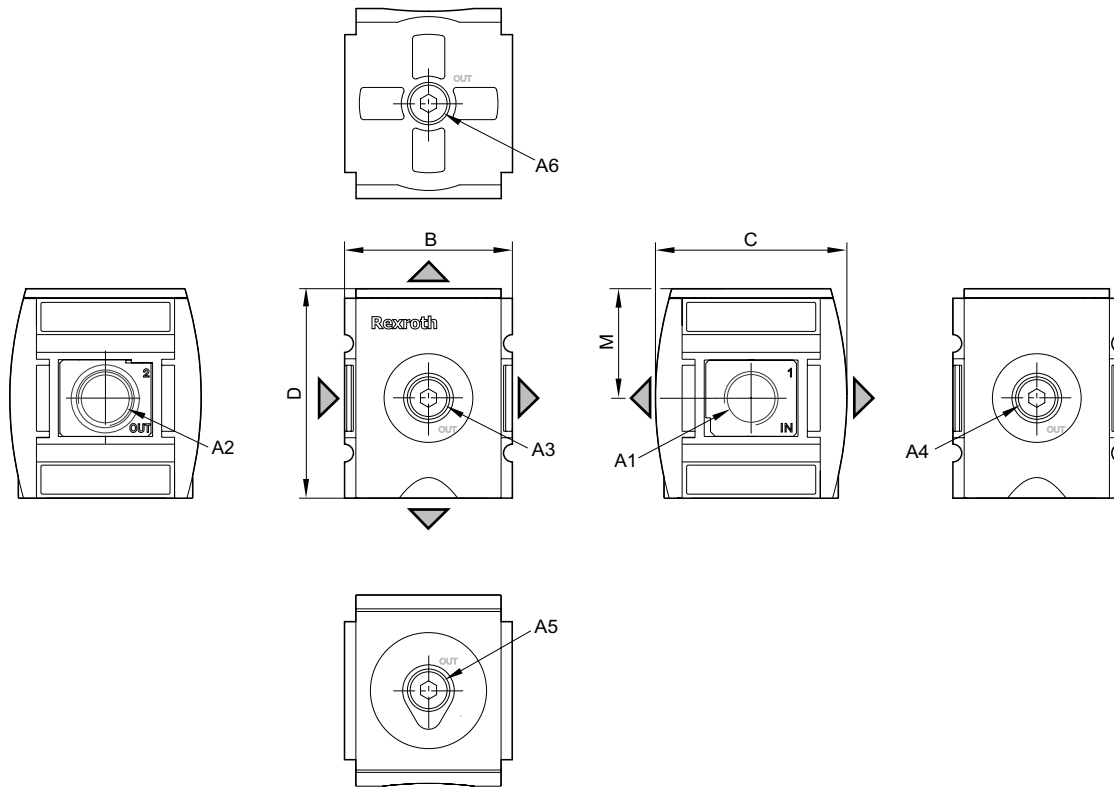
usage



00133962

- 1) Filter pressure regulator
- 2) Non-return valve
- 3) lubricator
- 4) Compressed air

Dimensions



00133995

A1 = input
A2 = output

A1	A2	A3	A4	A5	A6	B	C	D	M				
G 3/8	G 3/8	G 1/2	G 3/8	G 1/4	G 3/8	63	74	80	42.5				
G 1/2	G 1/2	G 1/2	G 3/8	G 1/4	G 3/8	63	74	80	42.5				