

Preparation of compressed air → Maintenance units and components

3/2-shut-off valve, mechanically operated, Series AS3-BAV

► G 3/8 - G 1/2 ► suitable for ATEX



00127429

<p>ATEX Version</p> <p>Working pressure min./max. Medium Medium temperature min./max. Ambient temperature min./max. Actuating element Sealing principle Max. particle size</p> <p>Materials: Housing Front plate Seals Threaded bushing Actuating element Locking base</p>	<p>II 2G2D T4 X Ball valve, Can be assembled into blocks For padlocks lockable 0 bar / 16 bar Compressed air -10 °C / +50 °C -10 °C / +50 °C rotary switch metal/metal sealing 25 µm</p> <p>Polyamide Acrylonitrile butadiene styrene Polytetrafluorethylene Die cast zinc Polyoxymethylene Die cast zinc</p>
--	---

Technical Remarks

- The pressure dew point must be at least 15 °C under ambient and medium temperature and may not exceed 3 °C.

	Port	Exhaust	Qn		Weight	Part No.
			1►2	2►3		
			[l/min]		[kg]	
	G 3/8	G 1/2	4500	3200	0.446	R412007260
	G 1/2					R412007261

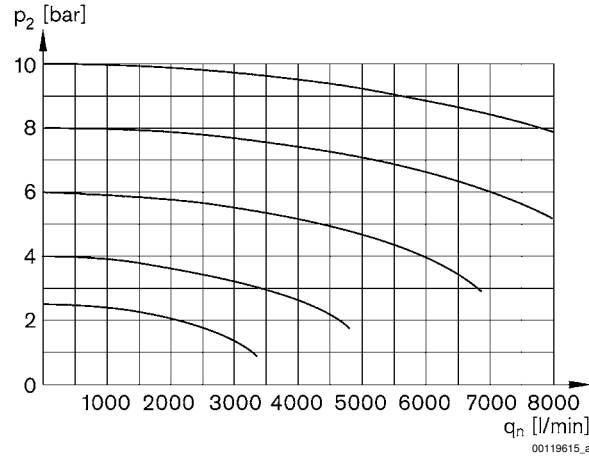
Nominal flow Qn at p1 = 6.3 bar and Δp = 1 bar

Preparation of compressed air → Maintenance units and components

3/2-shut-off valve, mechanically operated, Series AS3-BAV

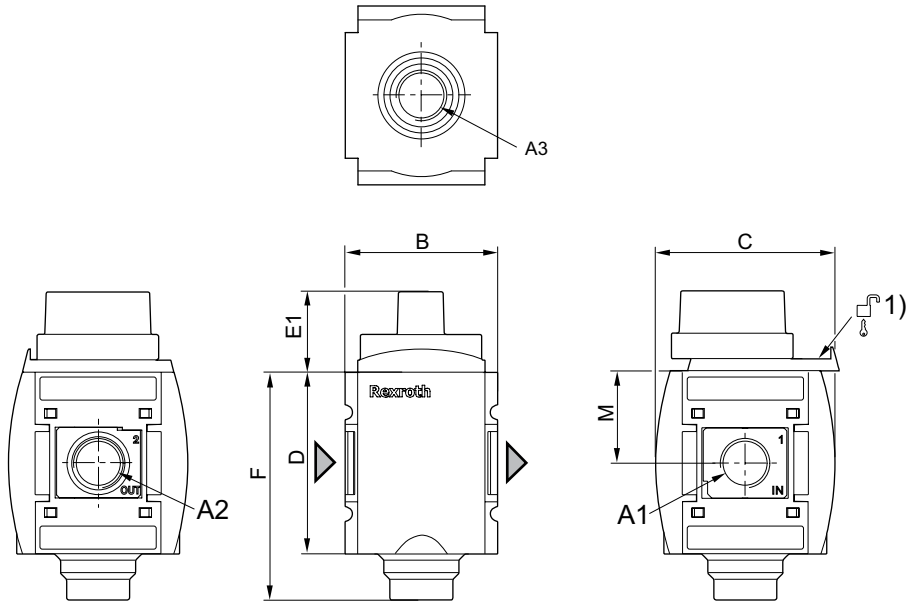
▶ G 3/8 - G 1/2 ▶ suitable for ATEX

Flow rate characteristic



p_2 = secondary pressure
 q_n = nominal flow

Dimensions



00127650

A1 = input
 A2 = output
 A3 = ventilation port

1) Mounting option for padlocks; max. shackle \varnothing 8

A1	A2	A3	B	C	D	E1	F	M					
G 3/8	G 3/8	G 1/2	63	74	80	28	99	42.5					
G 1/2	G 1/2	G 1/2	63	74	80	28	99	42.5					