

Preparation of compressed air → Maintenance units and components

Distributor, Series AS5-DIS

► G 3/4 - G 1 ► Distributor 2x ► Distributor ► suitable for ATEX



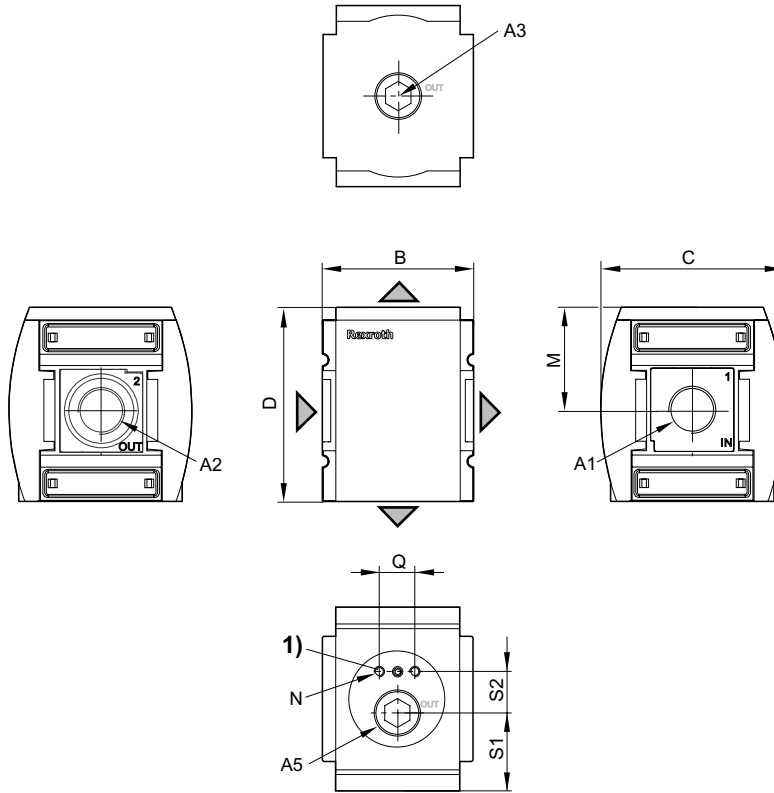
00119807

ATEX	II 2G2D T4 X
Version	Distributor, Can be assembled into blocks
Mounting orientation	Any
Working pressure min./max.	0 bar / 16 bar
Medium	Compressed air
Medium temperature min./max.	-10 °C / +50 °C
Ambient temperature min./max.	-10 °C / +50 °C
Materials:	
Housing	Polyamide
Front plate	Acrylonitrile butadiene styrene
Seals	Acrylonitrile Butadiene Rubber
Threaded bushing	Die cast zinc

Technical Remarks

- Suitable for direct mounting of a PE1 and PM1 series pressure sensor (flange version)

	Port	Qn			Weight	Part No.
		1 ► 2	1 ► 3	1 ► 5		
		[l/min]				
	G 3/4				0.648	R412009250
	G 1	18000	8500	12000		R412009251
Nominal flow Qn at p1 = 6.3 bar and Δp = 1 bar						

Preparation of compressed air → Maintenance units and components
Distributor, Series AS5-DIS
► G 3/4 - G 1 ► Distributor 2x ► Distributor ► suitable for ATEX
Dimensions


00119839

A1 = input

A2 = output

1) Mounting thread for pressure sensor

A1	A2	A3	A5	B	C	D	M	N	Q	S1	S2		
G 3/4	G 3/4	G 3/4	G 3/4	85	103	109	58	M5	20	44.5	22		
G 1	G 1	G 3/4	G 3/4	85	103	109	58	M5	20	44.5	22		