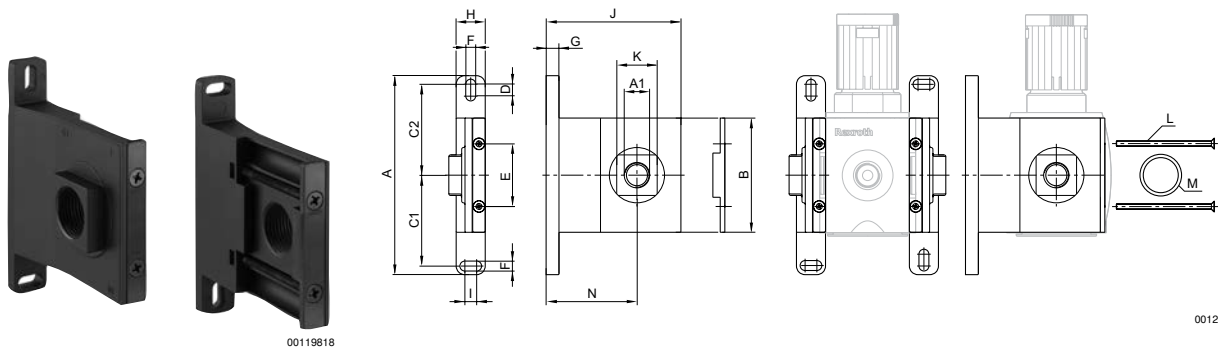


Preparation of compressed air → Maintenance units and components

Series AS5
 Accessories

Block assembly kit, Series AS5-MBR-...-W05

▶ G 3/4 - G 1



00127749

Part No.	A1	A	B	C1	C2	D	E	F	G	H	I	J
R412009366	G 3/4	160	102	72.5	72.5	10	57	8.4	10	30	10	127
R412009367	G 1	160	102	72.5	72.5	10	57	8.4	10	30	10	127

Part No.	K	L	M	N	Material	Material Seal	Weight [kg]
R412009366	41	M6x90	37x2,3	87	Die cast zinc	Acrylonitrile Butadiene Rubber	0.68
R412009367	41	M6x90	37x2,3	87	Die cast zinc	Acrylonitrile Butadiene Rubber	0.68

Scope of delivery incl. 4 mounting screws M6x90-4.8-A2R according to EN ISO 7046-1 (countersunk screw with type H X-slot), 2x O-ring