

Preparation of compressed air → Maintenance units and components

3/2-shut-off valve, mechanically operated, Series AS1-BAV

► G 1/4 ► Air supply: left

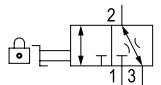


00137244

<p>Version</p> <p>Working pressure min./max. Medium</p> <p>Medium temperature min./max. Ambient temperature min./max.</p> <p>Actuating element Max. particle size</p> <p>Materials: Housing Front plate Seals Actuating element</p>	<p>Ball valve, Can be assembled into blocks For padlocks lockable</p> <p>0 bar / 12 bar Compressed air -10 °C / +50 °C -10 °C / +50 °C</p> <p>rotary switch 25 µm</p> <p>Polyamide Acrylonitrile butadiene styrene Acrylonitrile Butadiene Rubber Polyoxymethylene</p>
---	--

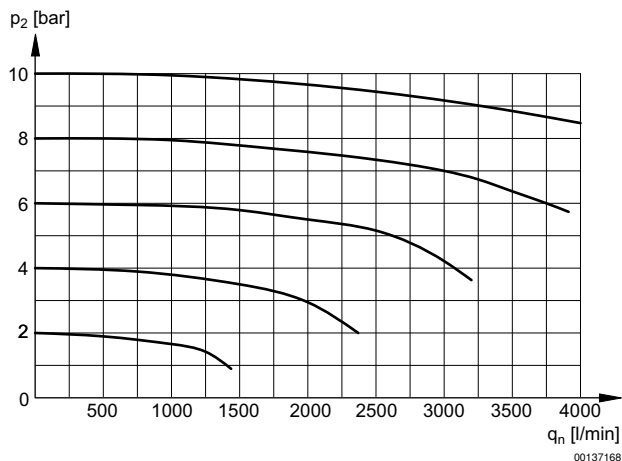
Technical Remarks

- The pressure dew point must be at least 15 °C under ambient and medium temperature and may not exceed 3 °C.

	Port	Exhaust	Qn		Weight	Part No.
			1►2	2►3		
			[l/min]		[kg]	
	G 1/4	G 1/4	2600	380	0.15	R412014664

Nominal flow Qn at p1 = 6.3 bar and Δp = 1 bar

Flow rate characteristic

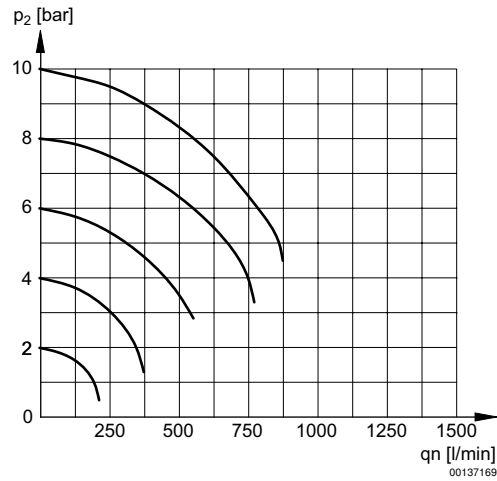


p2 = secondary pressure
qn = nominal flow

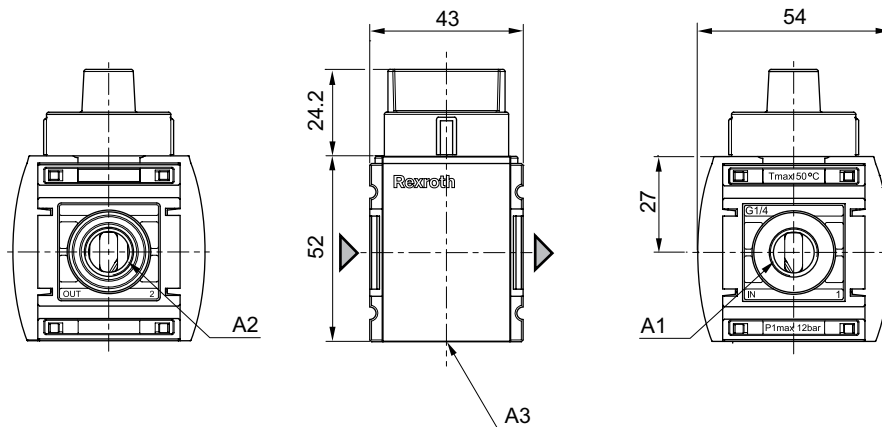
Preparation of compressed air → Maintenance units and components

3/2-shut-off valve, mechanically operated, Series AS1-BAV

► G 1/4 ► Air supply: left

Rear exhaust

p_2 = secondary pressure
 q_n = nominal flow

Dimensions

A1 = input
 A2 = output
 A3 = ventilation port

00137149