

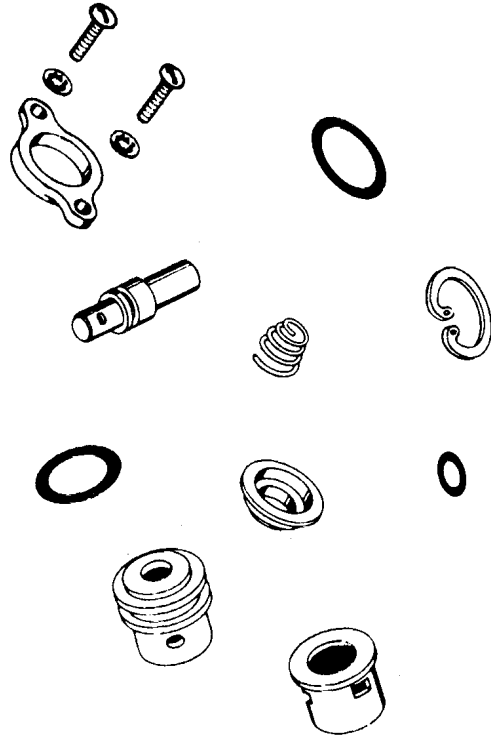
**“A” Pilotair® Cartridge-Repair Kits**

**“A” PILOTAIR® CARTRIDGE**



**CARTRIDGE REPAIR KIT**  
 Part Number R431003743  
 (Old P/N P-055474-K0002)

- Simplified Repair
- Factory Tested
- Fits Most Previous Design “A” Pilotair Valves
- Corrosion Resistant



**OLD MAJOR REPAIR KIT**

The one piece valve cartridge replaces the individual valve parts assembly for the following devices:

- “A” PILOTAIR Valves
- “H” CONTROLAIR Valves
- FLEXAIR Valves - Side Valve Cavity

**See next page for Part Number List**

Quick, positive repair and conversion can be accomplished by directly replacing the old individual parts with the new factory pressure tested cartridge. The cartridge valve simplifies repair and eliminates possible problems due to improper parts assembly. The modern engineered plastic and stainless steel construction provide superior corrosion resistance and sealing characteristics.

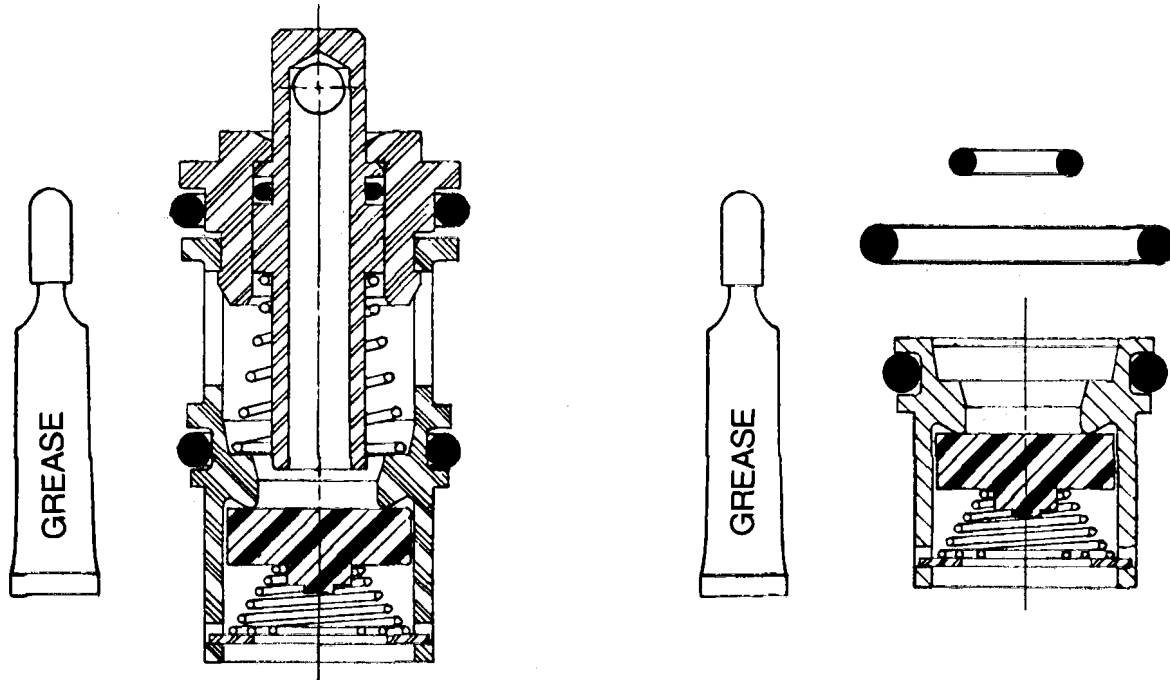
**NOTE:**

With the above kits, the elastomer seals and some common wear parts in the valve portions of the assemblies can be repaired. On severely worn or damaged valves, additional parts may be required.

The above kits do not contain any parts for the mechanical operating portions of the valves. The mechanical operating portions of the valve should be repaired when necessary, with individually selected parts, and tested before being put in service.

Refer to Service Bulletin SM-700.7400 for additional parts information and service instructions on the type “A” PILOTAIR pneumatic directional valves.

## "A" Pilotair® Cartridge—Repair Kits



**CARTRIDGE REPAIR KIT**  
**R431003743 (Old P/N P -055474-K0002)**  
**"A" PILOTAIR VALVES**  
**CONTROLAIR VALVES**  
**FLEXAIR VALVES, On-Off #3 Valve**

**CARTRIDGE REPAIR KIT**  
**R431003229 (Old P/N P -053460-K0006)**  
**FLEXAIR VALVES**  
**Graduated Pressure #3 Valve Only**

Valve Description	Mfg Date	Discontinued Repair Kits		Cartridge Repair Kit♦
		Major Kit	Minor Kit	
Block-type "A" PILOTAIR Valves: 2-CA, 2-LA, 2-MA, & 2-PA	After 1968	P -055474-00000	P -055474-00001●	R431003743 (Old P/N P -055474-K0002)
Panel-type "A" PILOTAIR Valves: 2-BA, 2-HA	1969-3/71	P -055474-00000	P -055474-00001●	R431003742 (Old P/N P -055474-00004▲ )
2-BA, 2-HA	After 3/71	P -055474-00000	P -055474-00001●	R431003743 (Old P/N P -055474-K0002)
FLEXAIR Valves On-Off #3 Valve			P -053460-00004	R431003743 (Old P/N P -055474-K0002)
Graduating #3 Valve			P -053460-00004	R431003229 P -053460-00006●

### NOTES:

- ♦ 1. To maintain valve performance, the complete cartridge should be replaced on all repairs.
- 2. Kits repair only one valve cavity. Complete valves with two or more cavities (such as 2-HA-2, 2-HA-3 and 2-HA-4) will require multiple kits.
- ▲ 3. Panel mounted 2-BA and 2-HA valves manufactured between 1969 and 1971 used die cast flange retainer to hold the valve parts in the body cavity Kit R431003742 (Old P/N P -055474-00004) includes a new flange and screws to service these valves.
- 4. Kit R431003229 (Old P/N P -053460-K0006) can be used as a minor repair kit for valves that do not have the new cartridge installed.