

Pneumatic connection technologies → Supplementary products

Series QR1-S standard

► Elbow fitting 45° ► external thread ► 10-32 UNF - 1/2 NPTF ► push-in fitting ► Ø1/4 - Ø5/16 ► QR1-S-RAT



00117301_inch

Ambient temperature min./max.
Working pressure min./max.

+0°C / +60°C
-0.95 bar / 10 bar

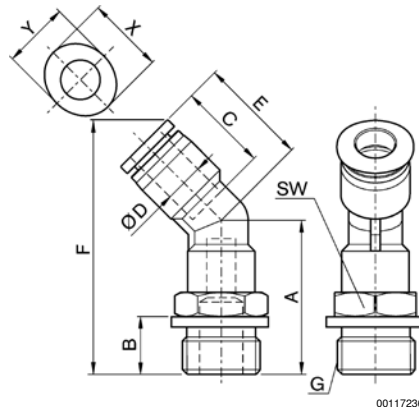
Materials:

Screw	nickel-plated
Housing	Polybutyleneterephthalate
Seal	Acrylonitrile Butadiene Rubber
Tooth lock washer	Stainless steel
Release ring	Polyoxymethylene
Release ring holder	Die cast zinc; Brass, nickel-plated
Thread	Brass, nickel-plated

Technical Remarks

- The series QR1 (plastic) and QR2 (metal) can not be combined
- Thread seal with captive O-ring
- These pneumatic components with NPTF or inch thread dimensions are only available from our US sales organization
- For further information about assembling and tolerances of adaptable tubing, see the section "Technical information".

Dimensions in inches



00117236

Dimensions in inches

Part No.	Port G	Port D	A	B	C	E	F	SW	X	Y	Delivery quantity [Piece]	Weight [kg]
R432000286	10-32 UNF	Ø1/4	0.91	0.22	0.67	0.81	1.48	1/2	0.55	0.47	10	0.05
R432000298	10-32 UNF	Ø5/32	0.87	0.22	0.63	0.71	1.37	7/16	0.47	0.39	10	0.03
R432000285	3/8 NPTF	Ø1/2	1.5	0.47	0.89	1.15	2.31	7/8	0.91	0.83	10	0.032
R432000289	3/8 NPTF	Ø1/4	1.23	0.47	0.67	0.81	1.8	11/16	0.55	0.47	10	0.032
R432000293	3/8 NPTF	Ø3/8	1.42	0.47	0.83	1.03	2.14	11/16	0.75	0.67	10	0.032
R432000297	3/8 NPTF	Ø5/16	1.26	0.47	0.73	0.89	1.89	11/16	0.63	0.55	10	0.05
R432000284	1/8 NPTF	Ø1/2	1.34	0.32	0.89	1.15	2.16	7/8	0.91	0.83	10	0.018
R432000296	1/8 NPTF	Ø5/16	1.06	0.32	0.73	0.89	1.7	9/16	0.63	0.55	10	0.009
R432000300	1/8 NPTF	Ø5/32	0.91	0.32	0.63	0.71	1.41	7/16	0.47	0.39	10	0.009
R432000288	1/8 NPTF	Ø1/4	0.99	0.32	0.67	0.81	1.56	1/2	0.55	0.47	10	0.009
R432000292	1/8 NPTF	Ø3/8	1.26	0.32	0.83	1.03	1.98	11/16	0.75	0.67	10	0.014

Supplementary products

Part numbers marked in bold are available from the central warehouse in Germany, see the shopping basket for more detailed information Pneumatics catalog, online PDF, as of 2013-04-11, © Bosch Rexroth AG, subject to change

Pneumatic connection technologies → Supplementary products

Series QR1-S standard

► Elbow fitting 45° ► external thread ► 10-32 UNF - 1/2 NPTF ► push-in fitting ► Ø1/4 - Ø5/16 ► QR1-S-RAT

Part No.	Port G	Port D	A	B	C	E	F	SW	X	Y	Delivery quantity [Piece]	Weight [kg]
R432000283	1/4 NPTF	Ø1/2	1.46	0.43	0.89	1.15	2.27	7/8	0.91	0.83	10	0.023
R432000291	1/4 NPTF	Ø3/8	1.38	0.43	0.83	1.03	2.1	11/16	0.75	0.67	10	0.023
R432000287	1/4 NPTF	Ø1/4	1.15	0.43	0.67	0.81	1.72	9/16	0.55	0.47	10	0.041
R432000295	1/4 NPTF	Ø5/16	1.22	0.43	0.73	0.89	1.85	9/16	0.63	0.55	10	0.018
R432000299	1/4 NPTF	Ø5/32	1.09	0.43	0.63	0.71	1.47	9/16	0.47	0.39	10	0.032
R432000294	1/2 NPTF	Ø5/16	1.42	0.59	0.73	0.89	2.05	7/8	0.63	0.55	10	0.041
R432000282	1/2 NPTF	Ø1/2	1.62	0.59	0.89	1.15	2.43	7/8	0.91	0.83	10	0.05
R432000290	1/2 NPTF	Ø3/8	1.54	0.59	0.83	1.03	2.26	7/8	0.75	0.67	10	0.05

Supplementary products

Part numbers marked in bold are available from the central warehouse in Germany, see the shopping basket for more detailed information
Pneumatics catalog, online PDF, as of 2013-04-11, © Bosch Rexroth AG, subject to change