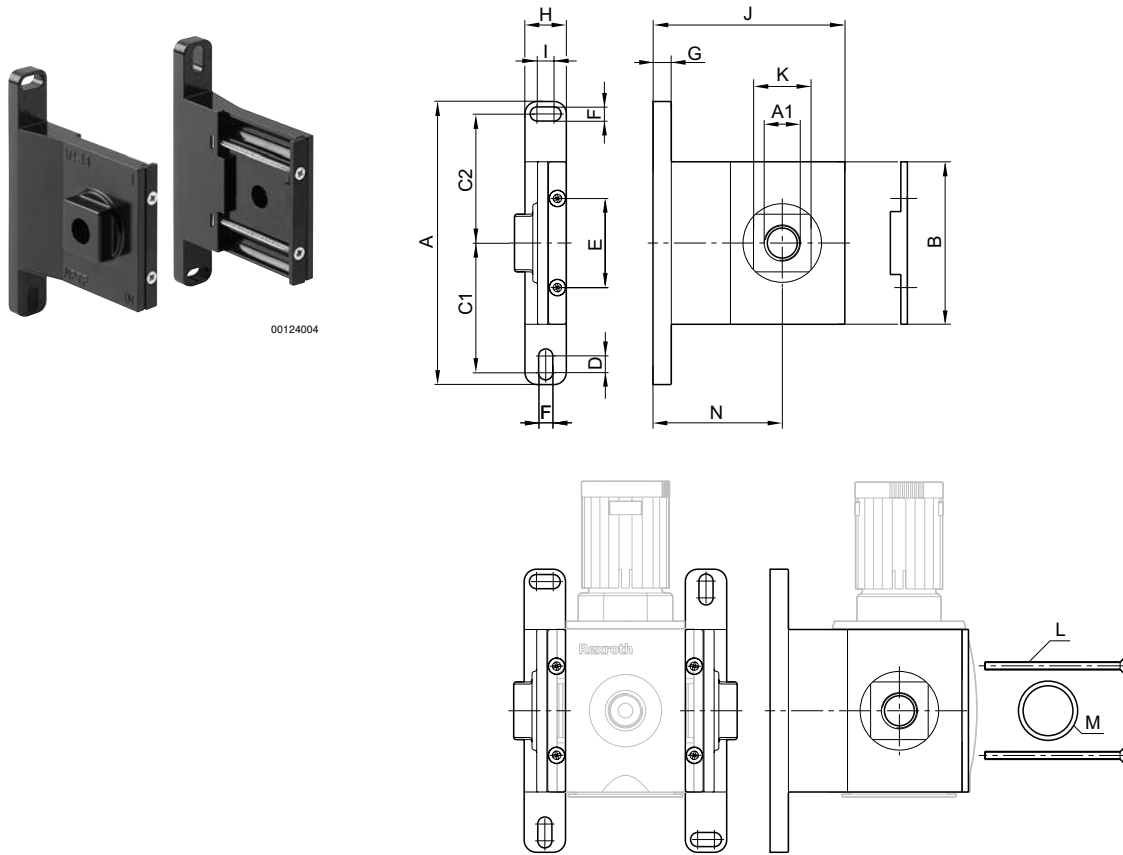


Preparation of compressed air → Supplementary products

Accessories

Block assembly kit, Series AS2-MBR-...-W05

► 1/4 NPTF - 3/8 NPTF



Dimensions in inches

Part No.	A1	A	B	C1	C2	D	E	F	G	H	I	J
R432000729	1/4 NPT	4.25	2.44	1.94	1.94	0.25	1.34	0.21	0.28	0.63	0.25	2.87
R432000730	3/8 NPT	4.25	2.44	1.94	1.94	0.25	1.34	0.21	0.28	0.63	0.25	2.87

Part No.	K	L	M	N	Material	Material Seal	Weight [kg]
R432000729	0.87	M3x2,09	0,75x0,07	1.94	Die cast zinc	Acrylonitrile Butadiene Rubber	0.475
R432000730	0.87	M3x2,09	0,75x0,07	1.94	Die cast zinc	Acrylonitrile Butadiene Rubber	0.475

Scope of delivery incl. 4 mounting screws M3x53-4.8-A2R according to EN ISO 7046-1 (countersunk screw with type H X-slot), 2x O-ring

This/these pneumatic component(s) with NPTF or inch thread dimensions are only available from our US sales organization: www.boschrexroth-us.com/brp

Supplementary products

Part numbers marked in bold are available from the central warehouse in Germany, see the shopping basket for more detailed information Pneumatics catalog, online PDF, as of 2013-03-18, © Bosch Rexroth AG, subject to change