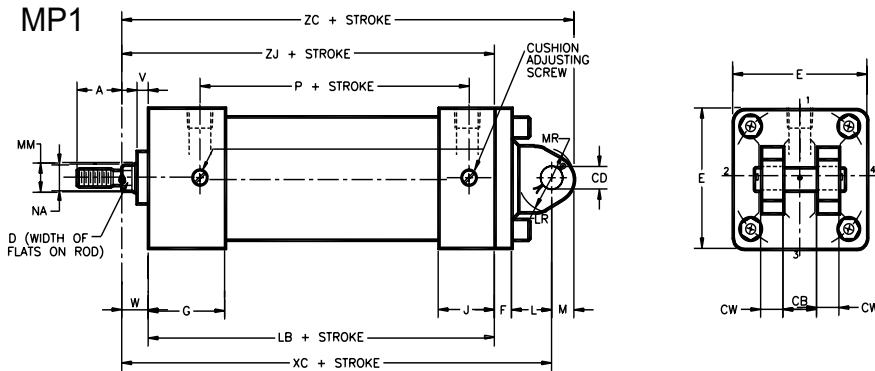


Taskmaster® Pneumatic Cylinder

MP1 Clevis Mounting Kits - 1.5" thru 4" bore

Rexroth
Bosch Group

MP1 Clevis Mounting Kit (Cast Iron), includes pivot pin

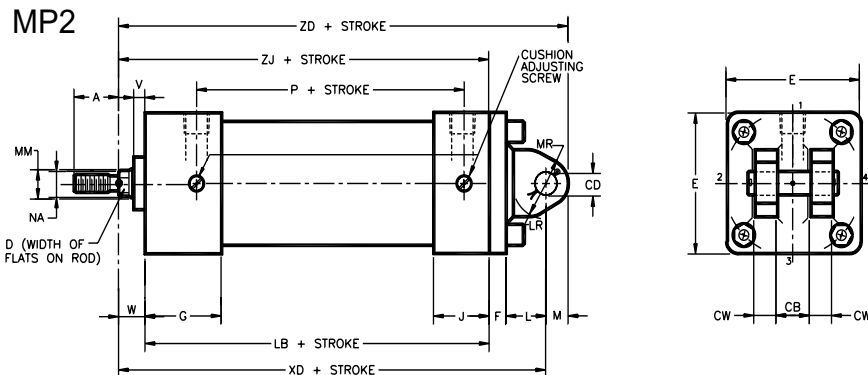


Model	MP1															
KIT PART NUMBER	BORE SIZE	MM ROD	E	F	L	W*	CB	CD	CW	LB	LR	MR	XC*	ZC*	ZJ*	WEIGHT
R432015731	1.500	0.625	2.00	0.38	0.38	0.59	0.75	0.500	0.50	4.03	0.75	0.63	5.38	5.88	4.63	0 lb. 6 oz.
R432015733	2.000	0.625	2.50	0.38	0.38	0.59	0.75	0.500	0.50	4.03	0.75	0.63	5.38	5.88	4.63	1 lb. 0 oz.
R432015735	2.500	0.625	3.00	0.38	0.38	0.59	0.75	0.500	0.50	4.16	0.75	0.63	5.50	6.00	4.75	1 lb. 4 oz.
R432015737	3.250	1.000	3.75	0.63	0.63	0.75	1.25	0.750	0.63	4.88	1.25	0.88	6.88	7.63	5.63	2 lb. 8 oz.
R432015739	4.000	1.000	4.50	0.63	0.63	0.75	1.25	0.750	0.63	4.88	1.25	0.88	6.88	7.63	5.63	3 lb. 8 oz.

Mounting kit only, order cylinder separately. These kits are not affected by rod size. Dimensions in inches, for those not shown see MS4 basic cylinder drawing.

*Dimensions are for TM-8 series, for TM-1 series see MS4 basic cylinder drawing.

MP2 Clevis Mounting Kit (Aluminum and Steel), includes pivot pin



Model	MP2																
BORE SIZE/ (Kit Material)	KIT PART NUMBER	WEIGHT	MM ROD	E	F	L	M	W*	CB	CD	CW	LB	LR	MR	XD*	ZD*	ZJ*
1.5 (Alum.)	R432013371	0 lb. 8 oz.	0.625	2.00	0.38	0.75	0.50	0.59	0.75	0.500	0.50	4.03	0.63	0.53	5.75	6.25	4.63
1.5 (Steel)	R432008309	0 lb. 14 oz.	0.625	2.00	0.38	0.75	0.50	0.59	0.75	0.500	0.50	4.03	0.59	0.69	5.75	6.25	4.63
2.0 (Alum.)	R432012512	0 lb. 8 oz.	0.625	2.50	0.38	0.75	0.50	0.59	0.75	0.500	0.50	4.03	0.63	0.53	5.75	6.25	4.63
2.0 (Steel)	R432008305	1 lb. 4 oz.	0.625	2.50	0.38	0.75	0.50	0.59	0.75	0.500	0.50	4.03	0.59	0.69	5.75	6.25	4.63
2.5 (Alum.)	R432013379	0 lb. 12 oz.	0.625	3.00	0.38	0.75	0.50	0.59	0.75	0.500	0.50	4.16	0.63	0.53	5.88	6.38	4.75
2.5 (Steel)	R432008306	1 lb. 8 oz.	0.625	3.00	0.38	0.75	0.50	0.59	0.75	0.500	0.50	4.16	0.59	0.69	5.88	6.38	4.75
3.25 (Alum.)	R432013394	1 lb. 12 oz.	1.000	3.75	0.56	1.31	0.75	0.75	1.25	0.750	0.63	4.88	0.88	0.88	7.50	8.25	5.63
3.25 (Steel)	R432008307	3 lb. 12 oz.	1.000	3.75	0.63	1.25	0.75	0.75	1.25	0.750	0.63	4.88	0.88	1.00	7.50	8.25	5.63
4.0 (Alum.)	R432013402	2 lb. 4 oz.	1.000	4.50	0.63	1.25	0.75	0.75	1.25	0.750	0.63	4.88	0.88	0.78	7.50	8.25	5.63
4.0 (Steel)	R432008308	4 lb. 12 oz.	1.00	4.50	0.63	1.25	0.75	0.75	1.25	0.750	0.63	4.88	0.88	1.00	7.50	8.25	5.63

Mounting kit only, order cylinder separately. These kits are not affected by rod size. Dimensions in inches, for those not shown see MS4 basic cylinder drawing.

*Dimensions are for TM-8 series, for TM-1 series see MS4 basic cylinder drawing.