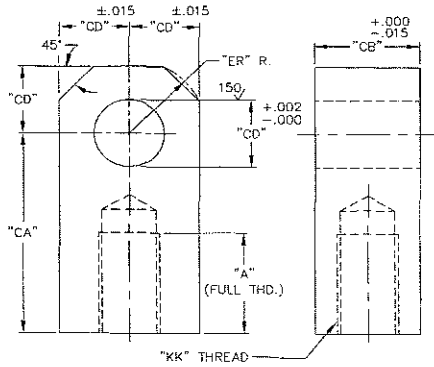


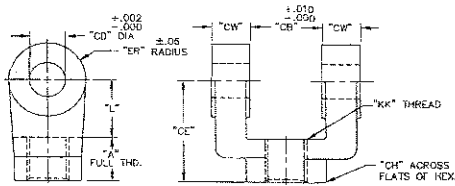
REXROTH ACCESSORIES



ROD EYE - Select by 'KK' to Match Rod Thread

Part Number	DIMENSIONS (Inches)						Weight (lbs.)
	A	CA	CB	CD	ER	KK	
R433012610	0.75	1.50	0.75	0.500	0.56	7/16 - 20	0.5
R432006533	0.75	1.50	0.75	0.500	0.56	1/2 - 20	0.5
R433012611	1.13	2.06	1.25	0.750	0.81	3/4 - 16	1.0
R433012612	1.13	2.38	1.50	1.000	1.13	7/8 - 14	2.3
R433012613	1.63	2.81	1.50	1.000	1.13	1 - 14	2.3
R433012614	2.00	3.44	2.00	1.375	1.69	1-1/4 - 12	5.5
R433012615	2.25	4.00	2.50	1.750	2.06	1-1/2 - 12	10.5
R433012616	2.25	4.38	2.50	2.000	2.38	1-3/4 - 12	11.3
R433012617	3.00	5.00	2.50	2.000	2.38	1-7/8 - 12	11.5
R433012618	3.50	5.81	3.00	2.500	2.81	2-1/4 - 12	20.5
R433012648	3.50	6.13	3.00	3.000	3.25	2-1/2 - 12	30.0

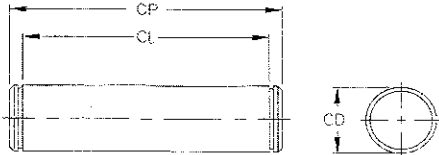
ROD CLEVIS - Select by 'KK' to Match Rod Thread



Part Number	STD. ROD DIA.	DIMENSIONS (Inches)								Weight (lbs.)
		A	CB	CD	CE	CH	CW	ER	KK	
R433012602	0.625	0.75	0.75	0.500	1.50	0.78	0.50	0.50	7/16 - 20	0.5
R433012665	0.625	0.75	0.75	0.500	1.50	0.78	0.50	0.50	1/2 - 20	0.0
R433012603	1.000	1.13	1.25	0.750	2.38	1.25	0.63	0.75	3/4 - 16	0.5
R433012663	1.000	1.13	1.25	0.750	2.38	1.25	0.63	0.75	7/8 - 14	1.3
R433012604	1.375	1.63	1.50	1.000	3.13	1.63	0.75	1.00	1 - 14	2.5
R433012606	1.750	2.00	2.00	1.375	4.13	2.00	1.00	1.38	1-1/4 - 12	6.4
R433012607	2.000	2.25	2.50	1.750	4.50	2.38	1.25	1.75	1-1/2 - 12	11.5
R433012664	2.000	2.25	2.50	1.750	4.50	2.38	1.25	1.75	1-3/4 - 12	11.5
R433012608	2.500	3.00	2.50	2.000	5.50	2.94	1.25	2.00	1-7/8 - 12	14.8
R433012655	3.000	3.50	3.00	2.500	6.50	3.50	1.50	2.50	2-1/4 - 12	36.0
R433012657	3.500	3.50	3.00	3.000	6.75	3.88	1.50	3.00	2-1/2 - 12	19.0

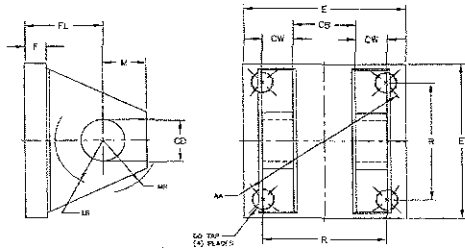
* Includes Pivot Pin with Cotter Pins

PIVOT PIN with snap rings - Select by 'CD'



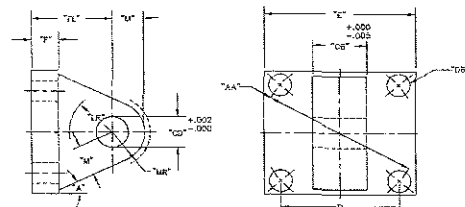
Part Number	DIM. (Inches)			Weight (lbs.)
	CD	CL	CP	
R433012619	0.500	1.88	2.09	0.3
R433012621	0.750	2.62	2.88	0.5
R433012623	1.000	3.12	3.38	0.8
R433012625	1.375	4.19	4.48	2.0
R433012627	1.750	5.19	5.54	3.9
R433012629	2.000	5.19	5.54	5.1
R433012649	2.500	6.19	6.62	8.0
*R433012650	3.000	6.25	6.78	14.8
*R433074833	3.500	8.12	8.84	38.0

CLEVIS BRACKET - Select by 'CD' to Match Pin



Part Number	DIMENSIONS (Inches)												Wght (lbs.)
	AA	CB	CD	CW	DD	E	F	FL	LR	M	MR	R	
R433012631	2.30	0.75	0.500	0.50	3/8 - 24	2.50	0.38	1.13	0.63	0.50	0.56	1.63	0.3
R433012632	2.90	1.25	0.750	0.63	1/2 - 20	3.00	0.63	1.88	0.88	0.75	0.88	2.06	0.5
R433012633	3.60	1.25	0.750	0.63	1/2 - 20	3.50	0.63	1.88	0.88	0.75	1.00	2.56	0.8
R433012634	4.60	1.50	1.000	0.75	5/8 - 18	4.50	0.75	2.25	1.19	1.00	1.25	3.25	2.0
R433012635	5.40	2.00	1.375	1.00	5/8 - 18	5.00	0.88	3.00	1.75	1.38	1.63	3.81	0.9
R433012636	7.00	2.50	1.750	1.25	7/8 - 14	6.50	0.88	3.13	2.13	1.75	2.12	4.94	5.1
R433012637	8.10	2.50	2.000	1.25	1 - 14	7.50	1.00	3.50	2.44	2.00	2.38	5.72	8.0
R433012653	10.00	2.50	2.500	1.25	1-1/4-12	9.25	1.75	4.75	2.75	2.50	2.50	7.07	14.8
R433012654	11.70	3.00	3.000	1.50	1-1/2-12	11.00	1.75	5.25	3.25	3.00	3.00	8.27	38.0

EYE BRACKET - Select by 'CD' to Match Pin



Part Number	DIMENSIONS (Inches)											Weight (lbs.)
	AA	CB	CD	DB	E	F	FL	LR	M	MR	R	
R433012638	2.30	0.75	0.500	0.38	2.50	0.38	1.13	0.69	0.50	0.56	1.63	1.0
R433012639	2.90	1.25	0.750	0.50	3.00	0.63	1.88	1.00	0.75	0.88	2.06	3.0
R433012640	3.60	1.25	0.750	0.50	3.50	0.63	1.88	1.00	0.75	0.88	2.56	3.0
R433012641	4.60	1.50	1.000	0.63	4.50	0.75	2.25	1.38	1.00	1.25	3.25	6.3
R433012642	5.40	2.00	1.375	0.63	5.00	0.88	3.00	2.00	1.38	1.62	3.81	10.3
R433012643	7.00	2.50	1.750	0.88	6.50	0.88	3.13	2.25	1.75	2.12	4.94	16.8
R433012644	8.10	2.50	2.000	1.00	7.50	1.00	3.50	2.50	2.00	2.36	5.72	25.3
R433025221	9.32	2.50	2.500	1.25	8.50	1.00	4.00	3.00	2.50	3.00	6.58	35.7
R433038709	10.60	3.00	3.000	1.25	9.50	2.00	5.25	3.25	3.00	3.25	7.50	

FOLDOUT