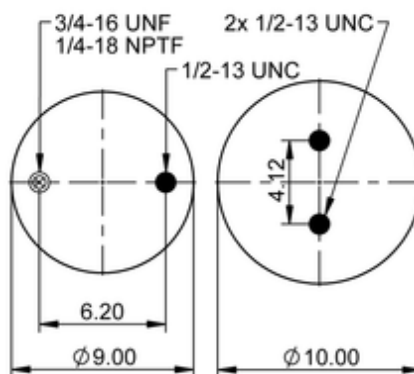
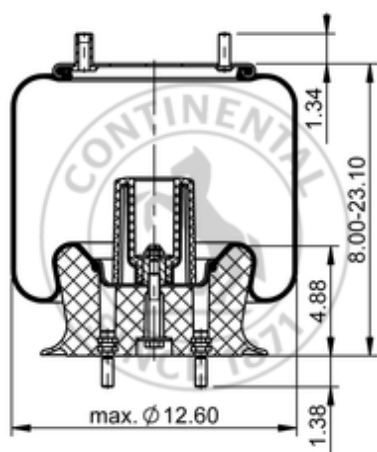







9 10-18.5 P 1183

75183



 lb	14.9 lb
	9308663
	1/2-13 UNC: max. 35 lbf ft
	1/4-18 NPTF: max. 22 lbf ft
	3/4-16 UNF: max. 50 lbf ft

### Cross-reference

Goodyear	1R12-274
Goodyear Flex No.	566243097

### OE Manufacturer/Reference No.

Manufacturer	Original-part no.	Model
--------------	-------------------	-------

