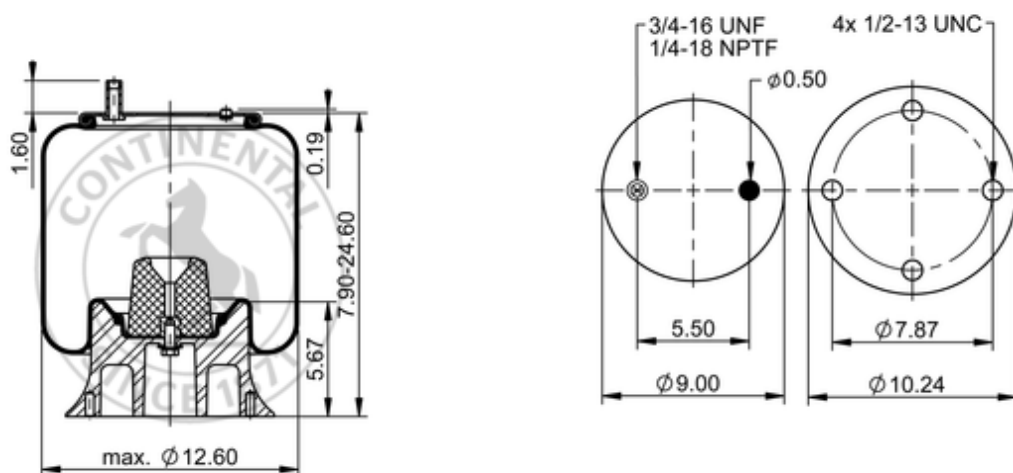







9 10-19 A 830

65807



	17.7 lb
	9305199
	1/2-13 UNC: max. 35 lbf ft
	1/4-18 NPTF: max. 22 lbf ft
	3/4-16 UNF: max. 50 lbf ft

Cross-reference

Firestone No.	W01-358-0783
Goodyear	1R12-467
Goodyear Flex No.	566243066
Triangle	AS-8830
TRP	AS2467G
Automann	1DK23L-A830

OE Manufacturer/Reference No.

Manufacturer	Original-part no.	Model
Ridewell	1000001	