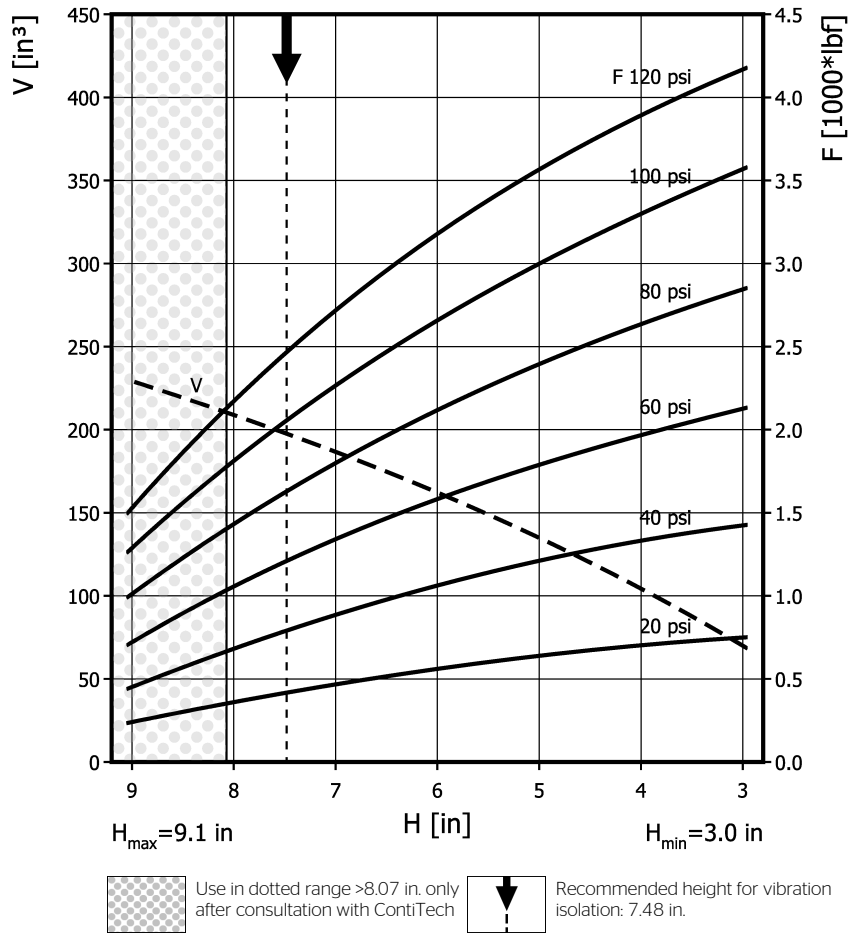
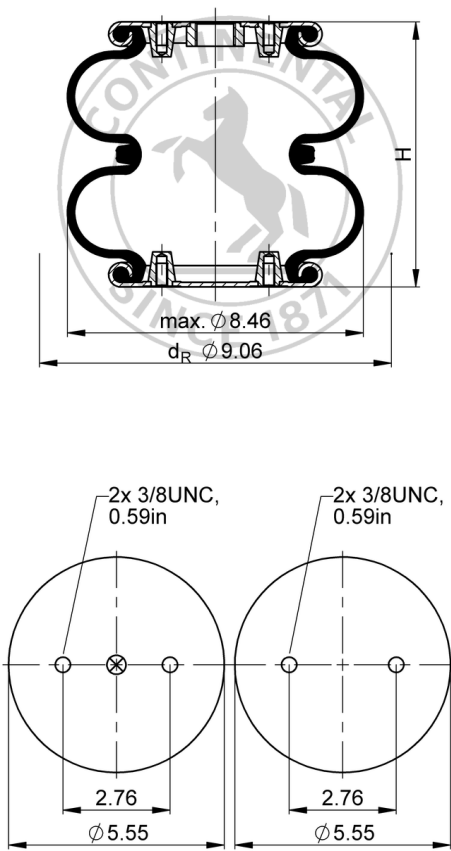


FD 120-17 CI

Double Convolution Air Actuator



Purchase order data

Type	Order No.
Rubber bellows only	60221
with crimped plates, 3/4 NPT air inlet A = 0 in. excentrical	75967

Additional types on request

Technical data

Min. pressure	0 psi
Return force to min height	≤ 45 lbf
Overall weight	5.1 lb

Vibration isolation - dynamic characteristic values

Design height H: recommended 7.48 inch, minimum 6.89 inch

Pressure p	[psi]	40	60	80	100	120	Vol. V [in.³]
Force (Load)	[lbf]	778	1210	1640	2060	2460	
Spring rate	[lbf/in.]	311	492	673	854	1040	
Natural frequency	[Hz]	2.1	2.0	2.0	2.0	2.0	

Pneumatic application - static characteristic values

Force F [lbf]

Pressure p	[psi]	40	60	80	100	120	Vol. V [in.³]
Height H [in.]	8.0	681	1070	1440	1820	2180	
	7.0	885	1340	1790	2260	2710	
	6.0	1070	1580	2110	2650	3170	
	5.0	1210	1790	2390	3000	3570	
	4.0	1330	1970	2640	3310	3910	
	3.0	1420	2120	2840	3560	4160	


 Service instructions
 3/8-16 UNC: max. 20 lbf ft
 3/4 NPT: max. 40 lbf ft

Measuring procedure: Room temperature / Force-height-data quasistatic / Dynamic data at 1 Hz