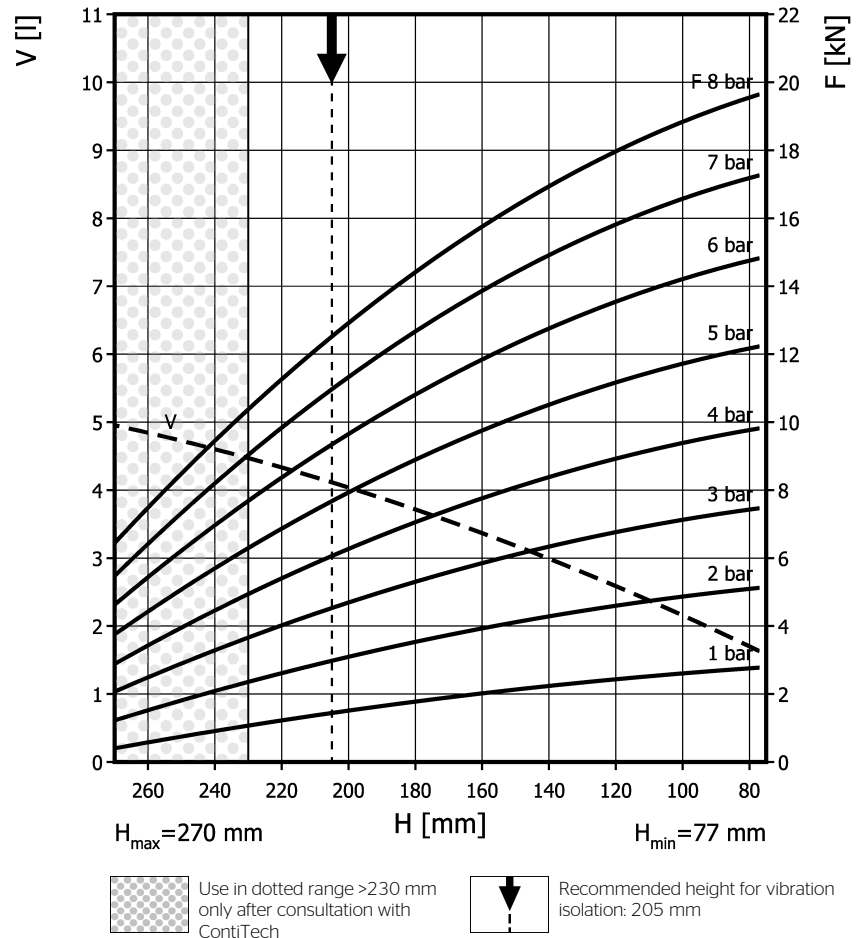
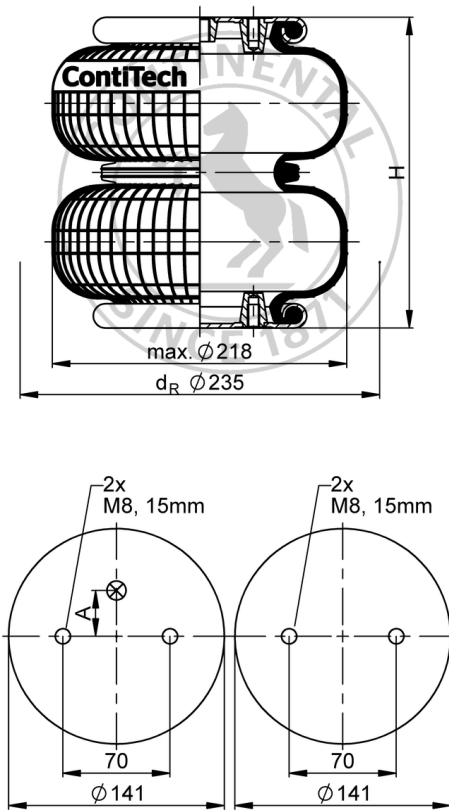


## FD 120-20 CI

## Double Convolution Air Actuator



## Purchase order data

Type	Order No.
Rubber bellows only	68628
with crimped plates, G1/4 air inlet A = 0 mm excentrical	62448
with crimped plates, G3/4 air inlet A = 0 mm excentrical	62055
with stainless steel crimped plates, G3/4 air inlet A = 0 mm excentrical	67814

Additional types on request



Service instructions  
 M8: max. 25 Nm  
 G1/4: max. 25 Nm  
 G3/4: max. 50 Nm

## Technical data

Min. pressure	0 bar
Return force to min height	≤ 200 N
Overall weight	2.3 kg

**Vibration isolation - dynamic characteristic values**

Design height H: recommended 205mm, minimum 190mm

Pressure p [bar]	3	4	5	6	7	8	Vol. V [l]
Force (Load) [kN]	4.6	6.2	7.8	9.4	11.1	12.7	4.1
Spring rate [N/mm]	65	84	103	120	139	154.1	
Natural frequency [Hz]	1.9	1.8	1.8	1.8	1.8	1.7	

**Pneumatic application - static characteristic values**

Force F [kN]

Pressure p [bar]	3	4	5	6	7	8	Vol. V [l]	
Height H [mm]	200	4.65	6.21	7.85	9.57	11.2	12.8	4
	160	5.84	7.75	9.75	11.9	13.9	15.8	3.4
	120	6.84	9.04	11.3	13.7	16	18	2.5
	80	7.34	9.67	12.1	14.7	17.1	19.5	1.7

**Measuring procedure:** Room temperature / Force-height-data quasistatic / Dynamic data at 1 Hz