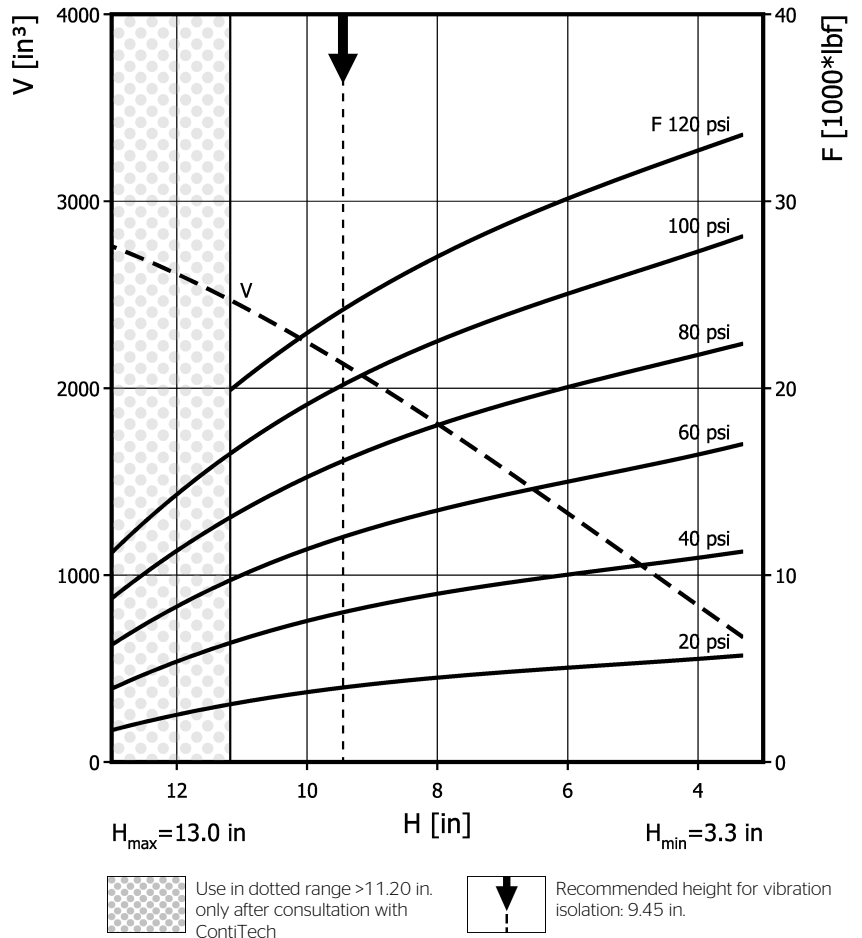
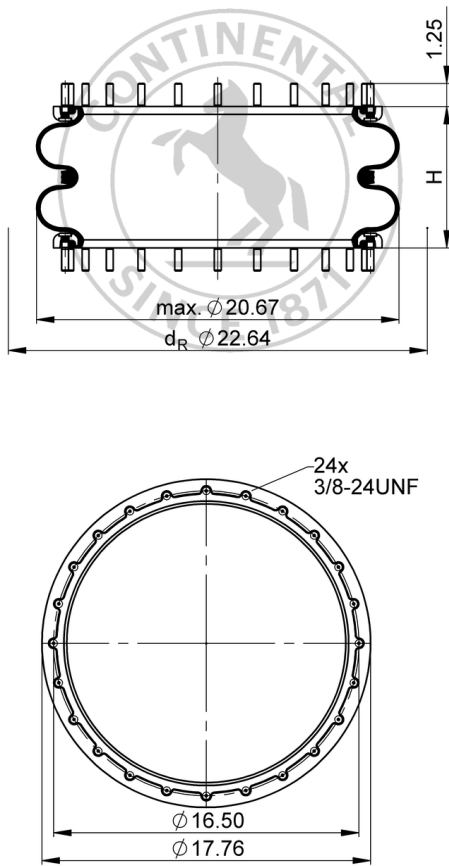


FD 1330-25 RS Double Convolution Air Actuator



Use in dotted range >11.20 in. only after consultation with ContiTech
 Recommended height for vibration isolation: 9.45 in.

Purchase order data

Type	Order No.
Rubber bellows only	61779
WR SMS48	68104

Additional types on request

Technical data

Min. pressure	0 psi
Return force to min height	≤ 45 lbf
Overall weight	22.5 lb

Vibration isolation - dynamic characteristic values

Design height H: recommended 9.45 inch, minimum 8.66 inch

Pressure p	[psi]	40	60	80	100	120	Vol. V [in.³]
Force (Load)	[lbf]	8090	12000	16100	20200	24100	
Spring rate	[lbf/in.]	2190	3160	4050	4920	5880	
Natural frequency	[Hz]	1.6	1.6	1.5	1.5	1.5	

Pneumatic application - static characteristic values

Force F [lbf]

Pressure p	[psi]	40	60	80	100	120	Vol. V [in.³]
Height H [in.]	11.0	6560	10000	13400	16900	20400	
	10.0	7570	11400	15300	19100	23000	
	9.0	8310	12400	16700	20900	25100	
	8.0	8920	13400	17900	22400	27000	
	7.0	9520	14300	19100	23900	28700	
	6.0	10000	15000	20000	25000	30100	
	5.0	10500	15700	21000	26200	31500	



Service instructions
3/8-24 UNF: max. 30 lbf ft

Measuring procedure: Room temperature / Force-height-data quasistatic / Dynamic data at 1 Hz