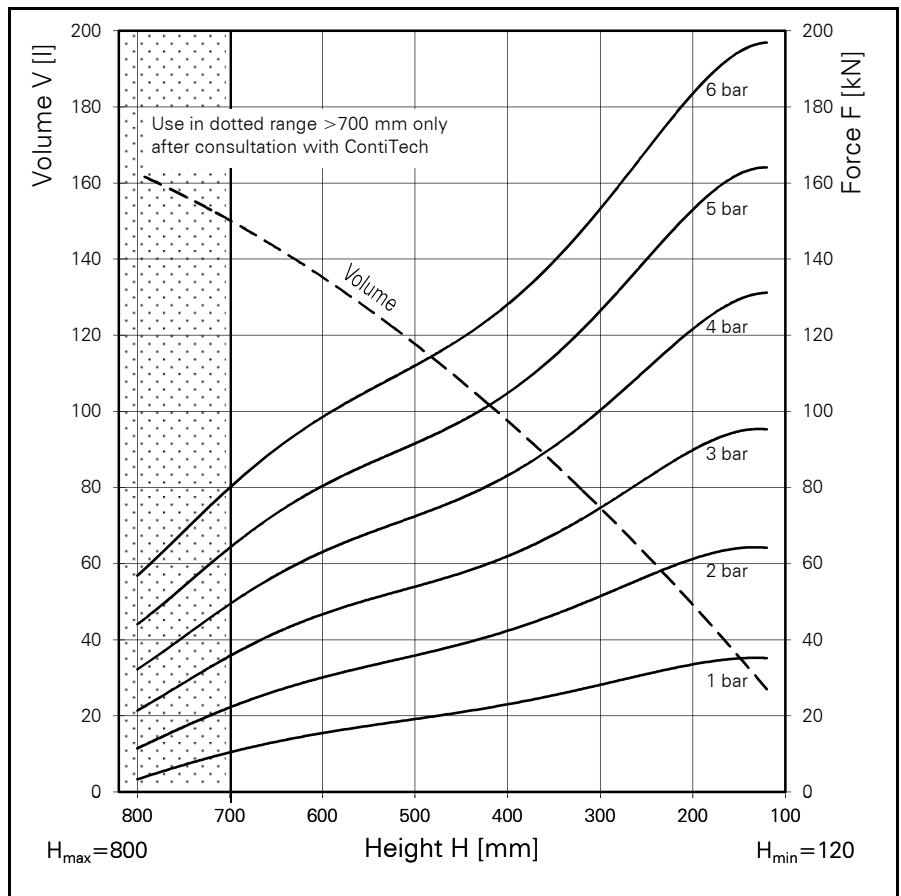
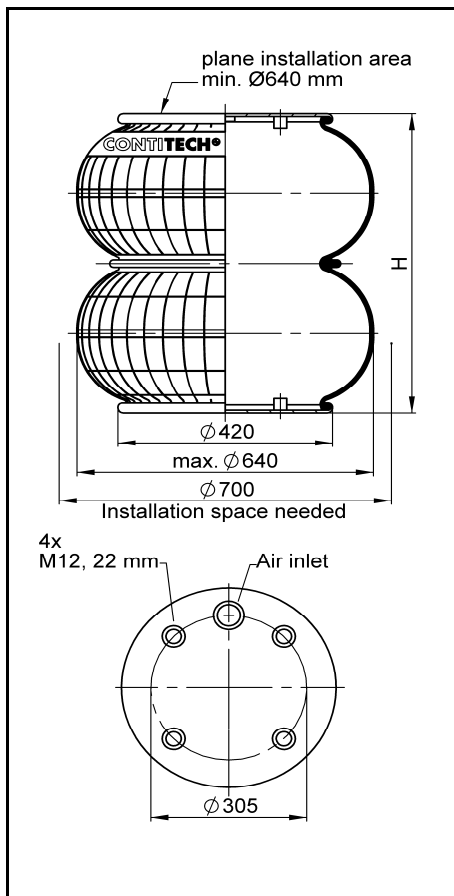


FD 1330-70 CI

CONTI® Double Convolution Air Spring



FD 1330-70 CI

Force-height diagram

Purchase order data

Type	Order No.
Rubber bellows only	52951
With clamped plates	72992
G 3/4 air inlet	
152.5mm excentrical	

Technical data

Min. pressure	0 bar
Return force to 120mm (min. height)	≤ 6000 N
Return force to 140mm	≤ 4000 N
Return force to 180mm	≤ 2000 N
Overall weight with clamped plates	28.5 kg


Note:

Moving direction axial only.
No angular movement or lateral displacement permissible!

Pneumatic application - static characteristic values

Force F [kN]

Pressure p [bar]	1	2	3	4	5	6	Vol.[l]
Height H [mm]	200	33.2	60.6	89.3	121.2	152.8	183.3
	300	28.7	52.7	75.7	101.2	126.8	153.5
	400	22.5	41.2	60.9	82.1	104.3	127.8
	500	19.3	36.3	54.3	72.9	91.8	112.1
	600	15.7	30.3	46.9	63.0	80.4	98.6
	700	10.3	22.0	35.6	49.3	64.2	79.9

 Service instructions
M12 = 75 Nm
G 3/4 = 50 Nm

Measuring procedure: Room temperature / Force- height- data quasistatic / Dynamic data at 1 Hz

