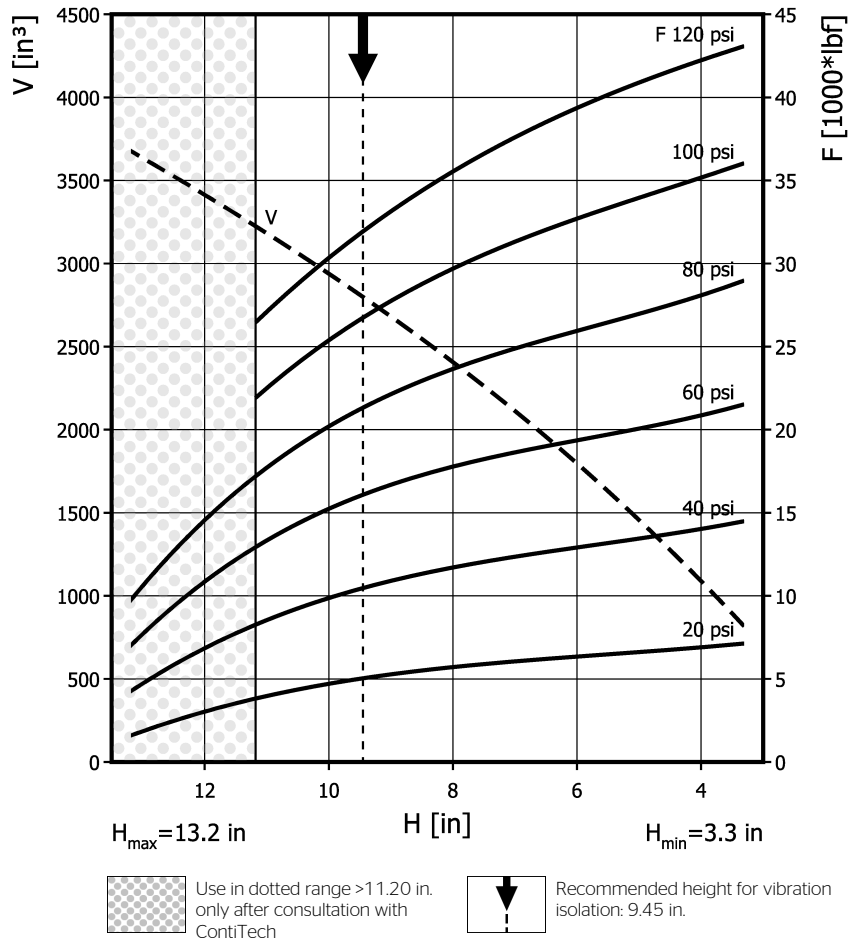
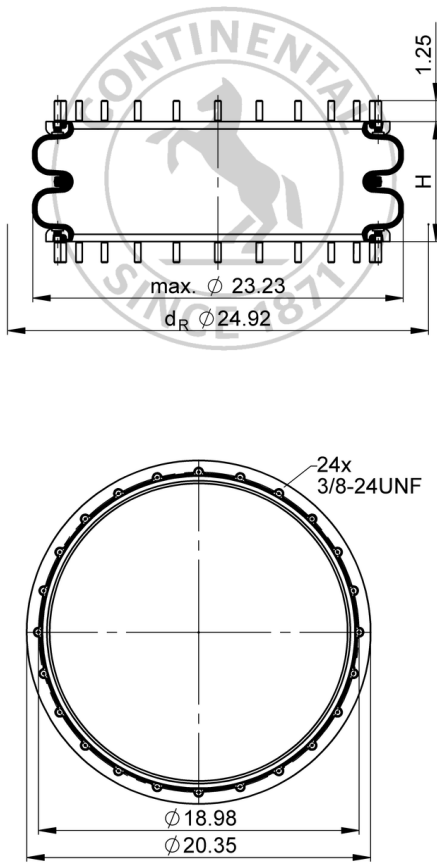


FD 1710-25 RS Double Convolution Air Actuator



Purchase order data

Type	Order No.
Rubber bellows only	61783
WR SMS48	68529

Additional types on request

Technical data

Min. pressure	0 psi
Return force to min height	≤ 99 lbf
Overall weight	26.5 lb

Vibration isolation - dynamic characteristic values

Design height H: recommended 9.45 inch, minimum 8.66 inch

Pressure p [psi]	40	60	80	100	120	Vol. V [in.³]
Force (Load) [lbf]	10600	16100	21300	26800	31700	
Spring rate [lbf/in.]	2860	4010	5170	6310	7380	
Natural frequency [Hz]	1.6	1.6	1.5	1.5	1.5	

Pneumatic application - static characteristic values

Force F [lbf]

Pressure p [psi]	40	60	80	100	120	Vol. V [in.³]	
Height H [in.]	10.5	9160	14200	18800	23800		3100
	9.0	10700	16400	22000	27600		2700
	7.5	12000	18100	24200	30500		2300
	6.0	13000	19400	25900	32600		1800
	4.5	13800	20600	27600	34600		1300



Service instructions
3/8-24 UNF: max. 30 lbf ft

Measuring procedure: Room temperature / Force-height-data quasistatic / Dynamic data at 1 Hz